

MANIFOLD

EN

ENTSPANNUNGSSTATION

DE

S300 | S200 | S60 | S203

MANIFOLD | ENTSPANNUNGSSTATION

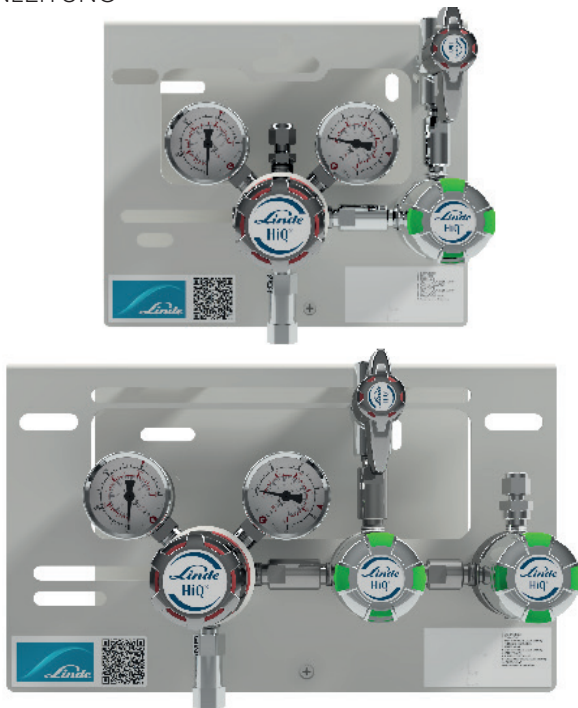
SINGLE STAGE | EINSTUFIG

BRASS CHROME PLATED | MESSING VERCHROMT

STAINLESS STEEL | EDELSTAHL

INSTRUCTION FOR USE

GEBRAUCHSANLEITUNG



IMPORTANT!

Read carefully before use! Keep the manual for future consultation!



CONTENT

- 1. GENERAL4**
 - 1.1. INFORMATION ABOUT THIS INSTRUCTIONS MANUAL4
 - 1.2. INFORMATION ABOUT THIS MANIFOLD4
 - 1.2.1. S300/S200/S60.....5
 - 1.2.2. S2035
 - 1.3. EXPLANATION OF SYMBOLS5
 - 1.4. LIMITATIONS OF LIABILITY6
 - 1.5. COPYRIGHT6
 - 1.6. SPARE PARTS.....6
 - 1.7. WARRANTY PROVISION.....7
 - 1.8. CUSTOMER SERVICE7
- 2. SAFETY7**
 - 2.1. INTENDED USE.....7
 - 2.1.1. STRUCTURAL CHANGES AT THE MANIFOLD7
 - 2.2. FUNDAMENTAL RISKS.....7
 - 2.3. OPERATOR'S RESPONSIBILITY8
 - 2.4. PERSONNEL REQUIREMENTS.....9
 - 2.4.1. QUALIFICATIONS9
 - 2.4.2. UNAUTHORIZED PERSONNEL9
 - 2.4.3. TRAINING10
 - 2.5. PERSONAL PROTECTIVE EQUIPMENT10
 - 2.6. BEHAVIOR IN CASE OF FIRE OR ACCIDENT11
 - 2.7. ENVIRONMENTAL PROTECTION11
 - 2.8. SIGNAGE11
 - 2.8.1. SIGNS THAT GIVE ORDERS11
 - 2.8.2. SIGNS INDICATING BANS11
 - 2.8.3. WARNING SIGNS.....11
- 3. TECHNICAL SPECIFICATIONS12**
 - 3.1. FLOW SCHEME – S300/S200/S6012
 - 3.2. DIMENSION SHEET – S300/S200/S6013
 - 3.3. FLOW SCHEME – S203.....14
 - 3.4. DIMENSION SHEET – S203.....15
 - 3.5. GENERAL INFORMATION.....16
 - 3.6. CONNECTION VALUES.....16
 - 3.7. PERFORMANCE VALUE.....16
 - 3.8. OPERATING CONDITIONS16
- 4. SET-UP AND FUNCTION 17**
 - 4.1. OVERVIEW – S300/S200/S6017
 - 4.2. OVERVIEW – S203.....17
 - 4.3. BRIEF DESCRIPTION.....17
- 5. TRANSPORT, PACKAGING AND STORAGE18**
 - 5.1. SAFETY INFORMATION FOR TRANSPORTATION18
 - 5.2. TRANSPORT INSPECTION.....18
 - 5.3. PACKAGING.....19
 - 5.4. STORAGE.....19
- 6. INSTALLATION AND INITIAL START-UP19**
 - 6.1. SAFETY NOTES FOR INSTALLATION AND INITIAL START-UP.....19
 - 6.2. PREPARATION19
 - 6.3. INSTALLATION.....19
 - 6.4. REQUIRED QUALIFICATIONS FOR INITIAL START-UP AND CYLINDER CHANGING20
 - 6.5. INITIAL START UP.....20
 - 6.5.1. PROCESS GAS PURGING (S300/S200/S60)20
 - 6.5.2. EXTERNAL INERT GAS PURGING (S203).....21
 - 6.5.3. FILL THE PROCESS GAS TUBING WITH PROCESS GAS21
 - 6.5.4. CHANGE EMPTY GAS CYLINDER21
 - 6.5.5. TAKING MANIFOLD OUT OF OPERATION21
 - 6.6. TESTS.....22

7. OPERATION	22
8. MAINTENANCE	22
8.1. SAFETY NOTES FOR MAINTENANCE.....	22
8.2. MAINTENANCE PLAN	22
8.3. MAINTENANCE WORK	23
8.3.1. CLEANING	23
8.3.2. REQUIREMENTS FOR MAINTENANCE	23
8.3.3. NECESSARY MAINTENANCE.....	23
8.4. MEASURES FOLLOWING MAINTENANCE.....	23
9. TROUBLESHOOTING	23
9.1. SAFETY NOTES FOR TROUBLESHOOTING.....	23
10. DISMANTLING AND DISPOSAL.....	26
10.1. SAFETY NOTES FOR DISMANTLING AND DISPOSAL	26
10.2. DISMANTLING.....	26
10.3. DISPOSAL.....	26

EN

ENGLISH

INSTRUCTION FOR USE: MANIFOLD

EN

1. GENERAL

1.1. INFORMATION ABOUT THIS INSTRUCTIONS MANUAL

This instruction is only intended for use with manifold product type:

- S300/S200/S60
- S203
- S200
- S60

Manifolds of this type are suitable to take gas out of gas cylinder or bundle and reduce the pressure. These manifolds were installed as permanently wall assembly and are connected to gas cylinder or bundle with coil or hose.

These instructions enable you to operate the system safely and efficiently. These instructions form an integral part of the system and must always be kept with the system and within easy reach of staff at all times.

Prior to commencing any work, the staff must read these instructions carefully and understand the contents. Observance of all the safety information and instructions for operation that are contained in these instructions is essential to ensure work safety.

Local accident prevention regulations and general safety regulations governing the use of the system must also be observed.

Illustrations in these instructions serve to ensure a basic understanding of the system and may differ from the actual version.

1.2. INFORMATION ABOUT THIS MANIFOLD

Manifolds of this type are only suitable for gases defined as standard gas. The maximum working pressure for these manifolds is 300 bar.

Single stage manifolds consists of valves and a pressure regulator with metal diaphragm, created and approved as ISO7291/ISO10297 including oxygen shock test.

Product line	(Purity 6.0 Brass chrome plated)	(Purity 6.0 stainless steel)
High Pressure Regulator with FKM Relief Valve Seat	<ul style="list-style-type: none"> • Suitable Gases (including their mixtures) <ul style="list-style-type: none"> • High Purity • Inert • Flammable • Oxidizing • Use for O₂ • Not Suitable Gases (including their mixtures) <ul style="list-style-type: none"> • Corrosive • Toxic • CO₂, N₂O 	<ul style="list-style-type: none"> • Suitable Gases (including their mixtures) <ul style="list-style-type: none"> • High Purity • Inert • Flammable • O₂ up to 200 bar • Corrosive (in doubt ask) • Toxic (in doubt ask) • Not Suitable Gases (including their mixtures) <ul style="list-style-type: none"> • O₂ (above 200 bar) • CO₂, N₂O • NH₃, SO₂, H₂S

<p>High Pressure Regulator with EPDM Relief Valve Seat</p>	<ul style="list-style-type: none"> • Suitable Gases (including their mixtures) <ul style="list-style-type: none"> • High Purity • Inert • Flammable • Oxidizing • Use for CO₂, N₂O • Not Suitable Gases (including their mixtures) <ul style="list-style-type: none"> • Corrosive • Toxic • Not for O₂ (share greater than 21%) • Hydrocarbons 	<ul style="list-style-type: none"> • Suitable Gases (including their mixtures) <ul style="list-style-type: none"> • High Purity • Inert • Flammable • Oxidizing • Corrosive (in doubt ask) • Toxic (in doubt ask) • Use for CO₂, N₂O • Use for NH₃, SO₂, H₂S • Not Suitable Gases (including their mixtures) <ul style="list-style-type: none"> • Not for O₂ (share greater than 21%) • Hydrocarbons
--	--	--

This table is not exhaustive. For questions and ambiguities please contact manufacturer.

1.2.1. S300/S200/S60

This manifold is available in brass chrome plated and stainless steel. It consists of the following components:

- Pressure regulator with inlet pressure & outlet pressure gauge
- Purge valve for process gas purging and 4-Port shut-off valve at inlet
- Relief valve
- Front plate and ground plate

SPECIALS

- S: safety valve at outlet
- C: check valves at inlets
- U: safety valve at outlet and check valves at inlets

1.2.2. S203




This manifold is only available in stainless steel. It consists of the following components:

- Pressure regulator with inlet pressure & outlet pressure gauge
- Two 4-port purge valves for external inert gas purging and one purge valve
- Relief valve
- Front plate and ground plate

SPECIALS

- S: safety valve at outlet

1.3. EXPLANATION OF SYMBOLS

<p style="text-align: center;">SAFETY INFORMATION</p>	<p>Safety information is highlighted by symbols in these instructions. This safety information is preceded by signal words that define the extent of risk.</p>
	<p>DANGER!</p> <p>This combination of symbol and signal word indicates an immediately dangerous situation that will cause death or severe injury if not avoided.</p>
	<p>WARNING!</p> <p>This combination of symbol and signal word indicates a possibly dangerous situation that can cause death or severe injury if not avoided.</p>
	<p>BEWARE!</p> <p>This combination of symbol and signal word indicates a possibly dangerous situation that can cause minor injury if not avoided.</p>

**NOTE!**

This combination of symbol and signal word indicates a possibly dangerous situation that can cause property and environmental damage if not avoided.

**TIPS AND RECOMMENDATIONS**

This symbol highlights useful tips and recommendations, together with help for ensuring efficient and trouble-free operation.

SPECIAL SAFETY INFORMATION

The following symbols are used in the safety information to draw your attention to particular risks.

**DANGER!**

This combination of symbol and signal word indicates an immediately dangerous situation involving electrical current. Ignoring such a warning could result in severe or fatal injuries.

1.4. LIMITATIONS OF LIABILITY

All of the information and notes in these instructions have been compiled in accordance with applicable standards and regulations. They reflect best engineering practice and our years of experience.

The manufacturer accepts no liability for damages in the following instances:

- Failure to observe these instructions
- Utilization of the system for any other than the intended purpose
- Operation by untrained staff
- Unauthorized modifications
- Technical modifications
- Use of unlicensed spare parts
- Working with the gas supply panel when any safety device is broken or not functional mounted or safety devices don't work correctly
- Improper control of components, connections and gaskets, which are wearing parts.
- Incorrect reparations
- Violation of temperature limits, which are dedicated in the datasheet during operation or storage
- In case of disaster or force majeure

The actual scope of supply may differ from the explanations and illustrations in these instructions following the incorporation of new technical changes.

The obligations stipulated in the supply agreement, our general terms and conditions of business, the manufacturer's terms and conditions of supply and the statutory regulations in force at the time of contract conclusion apply.

1.5. COPYRIGHT

The contents of these instructions are protected by copyright. They may be used in connection with the operation of the system. Any other use above and beyond the aforementioned is only permitted with the written consent of the manufacturer.

1.6. SPARE PARTS

**WARNING!**

- Risk of injury from using incorrect spare parts!
- The use of incorrect or defective spare parts can result in risks for the operating staff and in damages, malfunctions or total failure of the system.
- Only use original spare parts from the manufacturer or spare parts authorized by the manufacturer.
- Always consult the manufacturer if in doubt.

**LOSS OF WARRANTY**

- The manufacturer's warranty lapses if unauthorized spare parts are used.

1.7. WARRANTY PROVISION

In principle, our "General Terms and Conditions of Sale and Delivery" shall apply. These are available to the customer at the latest since the conclusion of the contract.

1.8. CUSTOMER SERVICE

Please do not hesitate to provide us with information and experiences gained through use; we welcome any valuable input that will help to improve our products.

2. SAFETY

This section provides an overview of all the important safety aspects to ensure the protection of your staff and the safe and trouble-free operation of the equipment. Further safety information relating to specific tasks can be found in the sections on the individual life cycle phases.

2.1. INTENDED USE

The manifold is only usable for the defined standard gases and pressures observing the given temperature range. The maximum flow is 20 m³/h (Air).

Intended use also includes compliance with all the information in these instructions and compliance with repairation, maintenance working, type label and data sheets.

Any use other than, or above and beyond, the intended use constitutes improper use.



WARNING!

- **Danger from improper use!**
- Improper use of the system can lead to dangerous situations.
- Never use the manifold with liquid fluids.
- Never connect sources with higher input pressures than intended for the corresponding pressure control panel.

2.1.1. STRUCTURAL CHANGES AT THE MANIFOLD

Without written approval of manufacturer no extensions, additions or alternations are allowed on the manifold.

Components which are not in perfect condition have to be changed immediately.

Cleaning of manifold and disposal of residues



ed components which are ready for repairation has to be purged with an inert gas (nitrogen) before.

noise Generation

In some cases when specific influence quantities collaborate together, e.g. flow and pressure range can cause noise generation or the gas itself. If this happens please contact manufacturer.

2.2. FUNDAMENTAL RISKS

The following section addresses the residual risks that may arise, even if the system is used properly.

Observance of the safety information included below and in other sections of these instructions is mandatory in order to reduce the risk of injury and property damage and to avoid dangerous situations.

DANGER!

- **Gases can be life threatening!**
- Gases can supersede the oxygen in air. This can result in death by asphyxiation. Oxygen produces a strongly oxidizing effect.

THEREFORE:

- Sufficient ventilation is absolutely essential.
- Installation only through certified company.
- Observe ATEX directive

**ATTENTION!**

- **Risk of injury from environment!**

There can be malfunctions on component due to condensation and/ or icing.

THEREFORE:

- Observe suitable temperatures.
- Protect component from liquids from outside
- Protect component from dust from outside
- Protect component from weather conditions
- Grounding has to be mounted properly

**WARNING!**

- **Risk of injury from using oil and grease!**

Oil and grease must never be used in gas regulating systems. Oil and grease are highly inflammatory and can react violently to certain pressurized gases.

THEREFORE:

- Never use oil and grease

**WARNING!**

- **Risk of injury from residual energy stored in the system!**

If handled incorrectly, pressurized components can move uncontrollably and cause severe injury. If handled incorrectly or defective, pressurized components can leak gas under high pressure and cause severe or even fatal injuries.

BEFORE STARTING WORK WITH THESE COMPONENTS:

- Installation only through certified company.
- Always wear protective goggles when working.
- Always wear ear protection.
- Make sure the equipment is depressurized. Also make sure the residual energy is discharged.
- Always ensure that gas cannot leak unintentionally.
- Make sure that defective components that are pressurized during operation are immediately replaced by trained staff.

**WARNING!**

- **Danger of accident!**

Due to wrong installation there can be serious or even mortal injuries.

THEREFORE:

- During installation the component should be kept safe
- Never throw the component

Pressurised components are only for intended use.

If there are mechanical damages at tubing or components the whole system has to be put in a safe condition. Affected area has to be blocked. Troubles which could influence safety, have to be eliminated through qualified staff or supplier.

Especially with gases failure in pressure regulator could happen. Indications for defective regulator is no flow or immediately rising outlet pressure. In this case system has to be shut-off and the relevant department for maintenance has to be informed. Never close exhaust piping.

2.3. OPERATOR'S RESPONSIBILITY

OPERATOR

The operator is the person who operates the system for commercial or business purposes or who provides the system for use/application by a third party, and who bears legal product responsibility for protecting the user, staff or third parties during operation.

OPERATOR'S DUTIES

The system is used for commercial purposes. The operator of the system is therefore subject to legal work safety obligations.

Compliance with the safety, accident prevention and environmental protection regulations that apply for the use of the system is mandatory, in addition to the safety information in these instructions.

THE FOLLOWING APPLIES IN PARTICULAR:

- The operator must be aware of the applicable work safety regulations and must perform a risk assessment to identify risks that may occur as a result of the specific working conditions at the site where the system is operated. The operator must use this assessment as the basis for compiling instructions for operating the system.
- During the entire period in which the system is operated, the operator must ensure that these operating instructions comply with the latest regulations, and must update the instructions if necessary.
- The operator must assign clear and specific responsibility for installation, operation, troubleshooting, maintenance and cleaning.
- The operator must ensure that all members of staff who work with the system have read and understood these instructions. The operator must also ensure that these members of staff are trained at regular intervals and are aware of the risks.
- The operator must provide the staff with the requisite protective equipment and bindingly obligate the staff to wear the necessary protective equipment.

In addition, the operator is responsible for ensuring full technical reliability of the system at all times.

AS SUCH, THE FOLLOWING APPLIES:

- The operator must ensure compliance with the maintenance intervals specified in these instructions.
- The operator must ensure that all safety equipment is regularly inspected for functional reliability and completeness.

2.4. PERSONNEL REQUIREMENTS

2.4.1. QUALIFICATIONS

The various tasks described in these instructions constitute differing requirements in respect of the qualifications of the staff charged with performing these tasks.



WARNING!

- ***Danger if staff is insufficiently qualified!***
- Insufficiently qualified staff is not able to assess the risks associated with the system and expose both themselves and others to the risk of severe or fatal injury.
- Ensure that all works are only performed by staff qualified for the specific task.
- Keep insufficiently qualified people out of the work area.

The works must always be assigned only to individuals who can be trusted to perform the works reliably. People with impaired reactions, e.g. as a result of drugs, alcohol or medication, must not be allowed to perform works.

These instructions define the qualifications below that are necessary for the respective tasks:

GAS ENGINEER:

Have a professional training, skills and experience and the knowledge of the pertinent standards and regulations to perform works on gas systems and to identify potential hazards. Gas engineers are trained specifically for the site where they work and are familiar with all relevant standards and regulations.

TECHNICIAN

Have the professional training, skills and experience and the knowledge of the pertinent standards and regulations to perform the assigned works and to identify and avoid potential hazards.

2.4.2. UNAUTHORIZED PERSONNEL



WARNING!

- ***Risks associated with unauthorized personnel in the hazard and work areas can be life threatening!***
- Unauthorized individuals without the qualifications described in this section are not familiar with the risks in the work area. As such, they are in danger of severe or even fatal injury.
- Keep unauthorized personnel away from the hazard and work area.
- If in doubt, approach individuals and instruct them to leave the hazard and work area.
- Stop any work while unauthorized individuals are in the hazard and work area.

2.4.3. TRAINING

The owner must train the staff at regular intervals. A training log must be maintained for purposes of better tracking and must contain the following information, at least:

- Date of training
- Names of trained staff
- Contents of the training session
- Name of trainer
- Signatures of the staff members in training and of the trainer

2.5. PERSONAL PROTECTIVE EQUIPMENT

Personal protective equipment protects staff from safety and health hazards while working.

Various tasks on and associated with, the system necessitate the use of personal protective equipment, which is described in more detail in the individual sections of these instructions.



BREATHING APPARATUS

To protect against harmful gases, vapors, dust and similar materials and media. Breathing apparatus (e.g. compressed air respirator) must be used when an oxygen content of at least 17% in the ambient air is not guaranteed or when the limit of a hazardous substance in the ambient air is exceeded more than 100-fold. Breathing apparatus may only be worn by people who have been specially trained in the use.



BREATHING APPARATUS, DEPENDENT ON AIR CIRCULATION

To protect against harmful gases, vapors, dust and similar materials and media. Breathing apparatus must be worn if a permissible limit is exceeded 100-fold. The breathing apparatus may only be used when the oxygen content in the ambient air measures at least 17%.



PROTECTIVE GOGGLES

To protect the eyes against airborne parts and splashes of liquid.



CHEMICAL-RESISTANT GLOVES

To protect the hands from aggressive substances. Make sure the protective gloves are leak-proof before wear, Dispose the gloves professionally after use.



PROTECTIVE GLOVES

To protect the hands against abrasion, scrapes, pricks or deeper injuries and contact with hot or cold surfaces.



EAR PROTECTION

To protect the ears from noise and prevent acoustic trauma.

2.6. BEHAVIOR IN CASE OF FIRE OR ACCIDENT

PREVENTIVE MEASURE

- Always be prepared for fires and accidents!
- Always keep first aid equipment (kit, blankets, etc.) and fire extinguishing equipment in working order and close to hand.
- Familiarize the staff with accident reporting, first aid and emergency procedures.
- Keep the access routes free for emergency service vehicles.

MEASURES IN THE EVENT OF FIRE OR ACCIDENT

- If there is no risk to your own safety, remove people from the danger zone.
- Administer first aid if necessary.
- Notify the fire brigade and/or emergency service.
- In the event of fire: If there is no risk to your own safety, use fire extinguishing equipment to fight the fire until the fire brigade arrives.
- Inform the person responsible at the location.
- Make sure the access routes are free for emergency service vehicles.
- Direct the emergency service vehicles.

2.7. ENVIRONMENTAL PROTECTION



NOTE!

- ***Risk of environmental pollution from incorrect handling of environmentally hazardous substances!***
- The environment can suffer substantial damage if environmentally hazardous substances are handled, and especially disposed of, incorrectly.
- Always observe the information below on handling environmentally hazardous substances and their disposal.
- Take immediate measures if environmentally hazardous substances are accidentally released into the environment. If in doubt, notify the responsible local authorities about the damage and enquire about the suitable measures to be taken.

2.8. SIGNAGE



WARNING!

- ***Danger from illegible signs!***
- Labels and signs can gather dirt or become otherwise illegible over time, thus preventing the recognition of risks and compliance with the requisite operating information. This could result in injury.
- Make sure all safety, warning and operation information is legible at all times.
- Immediately replace any damaged signs or labels.

2.8.1. SIGNS THAT GIVE ORDERS

- No signs

2.8.2. SIGNS INDICATING BANS

- No signs

2.8.3. WARNING SIGNS



GAS BOTTLES HAZARD



EXPLOSION - HAZARDOUS
AREA

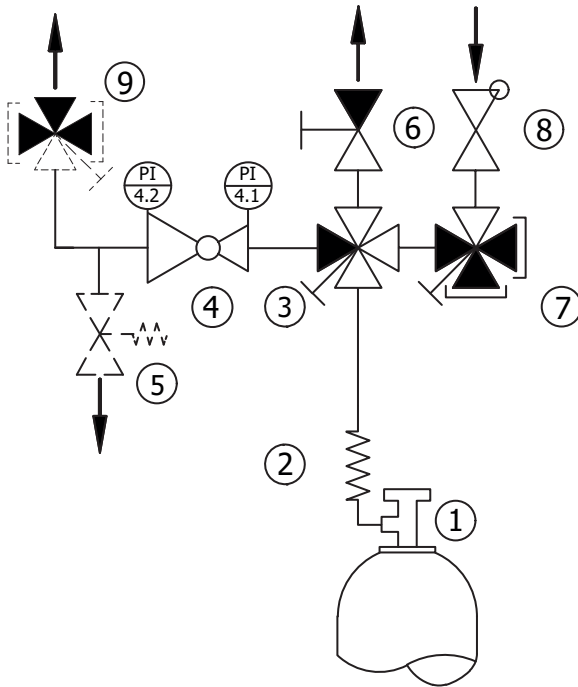


WARNING OF TOXIC AND/OR
CORROSIVE SUBSTANCES

3. TECHNICAL SPECIFICATIONS

3.1. FLOW SCHEME – S300/S200/S60

EN

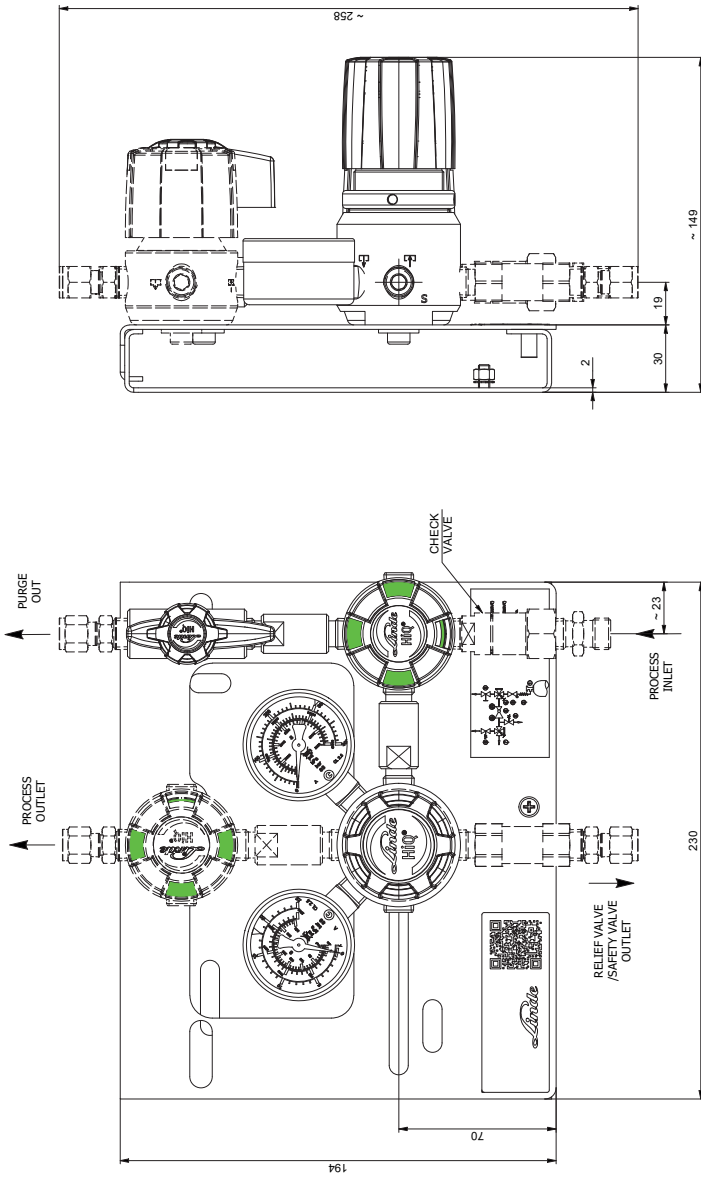


- 1 – GAS CYLINDER
- 2 – COIL
- 3 – SHUT-OFF VALVE (3XIN, 1XOUT)
- 4 – PRESSURE REGULATOR WITH IN/OUT GAUGE
- 5 – RELIEF VALVE / SAFETY VALVE, (OPT.)
- 6 – PURGE OUTLET VALVE
- 7 – PURGE INLET VALVE (1XIN, 3XOUT)
- 8 – CHECK VALVE
- 9 – SHUT-OFF VALVE (1XIN, 3XOUT); (OPT.)

Options are shown as dotted line

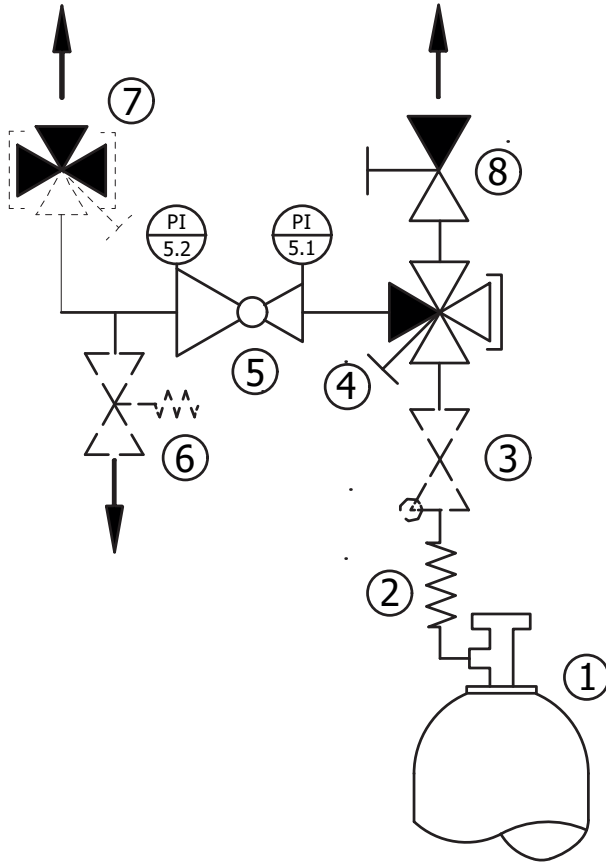
3.2. DIMENSION SHEET – S300/S200/S60

EN



3.3. FLOW SCHEME – S203

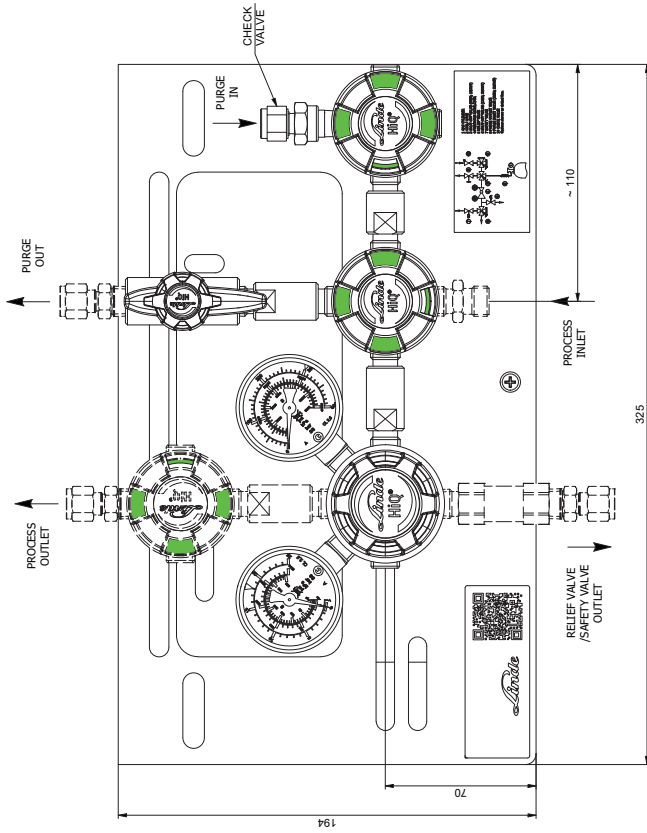
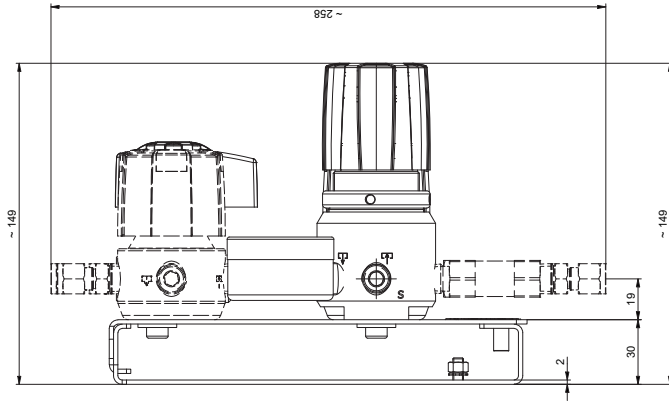
EN



- 1 – GAS CYLINDER
- 2 – COIL
- 3 – CHECK VALVE (OPT.)
- 4 – SHUT-OFF VALVE (3XIN, 1XOUT)
- 5 – PRESSURE REGULATOR WITH IN/OUT GAUGE
- 6 – RELIEF VALVE / SAFETY VALVE, (OPT.)
- 7 – SHUT-OFF VALVE (1XIN, 3XOUT), (OPT.)
- 8 – PURGE OUTLET VALVE

Options are shown as dotted line

3.4. DIMENSION SHEET – S203



EN

3.5. GENERAL INFORMATION

Information	S300/S200/S60-BC	S300/S200/S60-SS
max. Weight [kg]	5,25	8,57
Length [mm]	230	230
Depth [mm]	150	150
Height [mm]	194	194

Information	S203-SS
max. Weight [kg]	6,97
Length [mm]	325
Depth [mm]	150
Height [mm]	194

3.6. CONNECTION VALUES

Information	Value	Unit
Inlet	NPT 1/4" Female Several Adapters available	metric NPT
Outlet	1/8", 1/4", 3/8", 1/2" 3, 6, 8, 10, 12	Fitting inch, NPT
Outlet relief valve/ purge valve (if existent)	1/4", 3/8", 1/2" 6, 8, 10, 12	Fitting inch Fitting mm
Safety valve	NPT 1/2" female	inch

3.7. PERFORMANCE VALUE

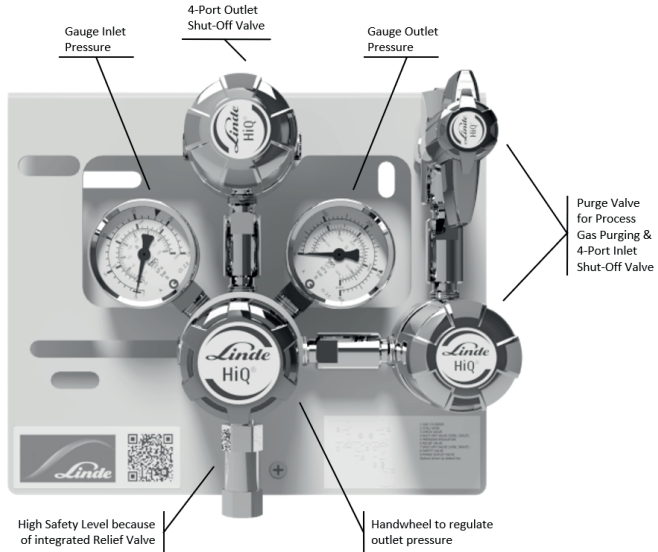
Information	Value	Unit
Nominal flow	20 (Air)	m ³ /h
Inlet pressure (max.)	S300: 300 S203: 200 S200: 200 S60: 60	bar
Outlet pressure (max.)	200	bar

3.8. OPERATING CONDITIONS

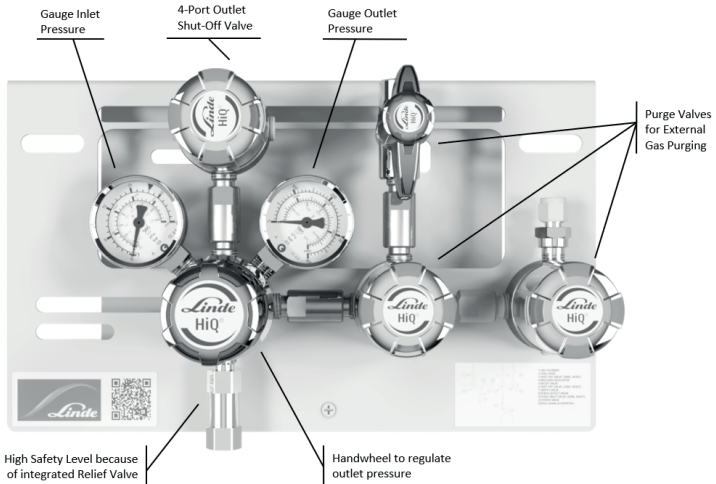
Information	Value	Unit
Temperature range	-20 till +60	°C
Relative humidity (max.)	98	%

4. SET-UP AND FUNCTION

4.1. OVERVIEW – S300/S200/S60



4.2. OVERVIEW – S203



4.3. BRIEF DESCRIPTION

With the manifold type **S300/S200/S60-BC...** (material: **brass chrome plated**) an industrial, non-toxic and non-corrosive gas or gas mixture, which is stored inside gas cylinder or bundle with over pressure can be reduced from maximum 300 bar tubing pressure (3 bar, 6 bar, 10 bar, 14 bar, 28 bar, 50 bar, 100 bar, 200 bar).

With the manifold type **S300/S200/S60-SS/ S203-SS...(material: stainless steel)** additional toxic and corrosive gases which is stores inside gas cylinder or bundle with over pressure can be reduced from maximum 300 bar tubing pressure (3 bar, 6 bar, 10 bar, 14 bar, 28 bar, 50 bar, 100 bar, 200 bar).

A relief valve at pressure regulator secures the manifold with its outlet pressure against incorrect pressure rising at the outlet due to leakage in regulator seat. Additional components could be safety valve and/ or check valve.

The real inlet and outlet pressure of the manifold is displayed at the pressure gauges. There is the possibility to use contact gauges for inlet and outlet pressure.

If the manifold has the opportunity for process gas purging, this can be done before initial start-up to remove contaminates. Furthermore it is possible to depressurize the high pressure side before cylinder is changed.

If the manifold has the opportunity for inert gas purging (S203), the high pressure area of the manifold can be purged to remove contaminates before initial start-up or before cylinder or bundle change. The manifold version with inert gas purging is only available in stainless steel.

The described system is mounted on a stainless steel plate. Due to plate dimensions all components are protected against damage inside of package, during transport and in mounted condition. The two plates design enables to mount the component easy and with less weight.

The cut-outs in the front plate enable to change the gauge without disassembly of the complete manifold. At the back plate at both sides are holes to connect the cylinder hoses with carabiner hook. To connect grounding you can find screw at the ground plate.

The development, construction and production testing is according to the following standards:

- Regulators- ISO 7291
- Valves- ISO 10297
- Gauges EN 837-1
- Mechanical explosion prevention of complete manifold- ISO80079-36; IEC 60079-32-1; TRGS 727

5. TRANSPORT, PACKAGING AND STORAGE



TIPS AND RECOMMENDATIONS!

- The installation and start- up of this gas supply panel is normally done by the supplier or by authorized personnel.
- Even though there can be some users or maintenance personnel who care about the packaging. The following notes should be observed accordingly.

5.1. SAFETY INFORMATION FOR TRANSPORTATION



NOTE!

- **Damages caused by inappropriate transportation!**
- If transported inappropriately, consignments can fall or topple over. This can cause considerable property damage.
- When unloading the consignments on delivery and transporting them on the premises, act with caution and observe the symbols and warnings on the packaging.
- Use only the attachment points provided.
- Do not remove the packaging until you are ready to assemble the regulator.

5.2. TRANSPORT INSPECTION

Upon delivery, check immediately that the consignment is complete and has not been damaged during transit. Procedure on detection of visible transport damage:

- Refuse acceptance of the delivery or only accept subject to reservation
- Record the extent of the damage on the transportation documentation or on the forwarder's delivery note
- File a complaint



TIPS AND RECOMMENDATIONS!

- Report each and every defect as soon as you discover it. Claims for damages can only be asserted within the specified periods.

5.3. PACKAGING

The individual consignments are packed according to the anticipated transport conditions. Without exception all packaging is made of environmentally friendly material.

The packaging is intended to protect the individual components against transport damage, corrosion and other damage until they are ready for installation. Do not, therefore, destroy the packaging; only remove it when assembly is imminent.



NOTE!

- **Risk of environmental harm through incorrect disposal!**
- Packaging materials are valuable raw materials. In many cases they can be re-used or recycled. Incorrect disposal of packaging materials can harm the environment.
- Dispose of packaging materials in an environmentally compatible manner.
- Observe locally applicable disposal regulations. If necessary, commission a specialist disposal firm.

5.4. STORAGE

Store the packages in the following conditions:

- Do not store outdoors
- Store in a dry and dust-free location
- Do not expose to aggressive media
- Protect from sunlight radiation
- Avoid mechanical jolts
- Storage temperature: 15 to 35 °C
- Relative humidity: max. 60 %
- If storing for longer than 3 months, regularly inspect the general condition of all parts and the packaging. If necessary re-apply or renew the rust-proofing



TIPS AND RECOMMENDATIONS!

- Some packages may bear labels with storage information that extends beyond these requirements. These notes should be observed accordingly.

6. INSTALLATION AND INITIAL START-UP

6.1. SAFETY NOTES FOR INSTALLATION AND INITIAL START-UP

STAFF

Installation and initial start-up of the system may only be performed by qualified staff.

6.2. PREPARATION

UNPACKING

- The system components should be removed from their packaging carefully and prudently.
- Additional protective packaging should also be removed.
- Check all components of damages from transport

DEPRESSURIZE

- Depressurize components and purge with inert gas if necessary
- Cut tubing with special tool; avoid contaminations (dirt, cuttings, etc.)
- Check perfect condition of components and purity of connections

6.3. INSTALLATION

Installation and initial commissioning may only be carried out by qualified personnel.

The back plate of the manifold is mounted at the height of 164 cm. The front plate is suspended in the back plate and secured with the delivered screw below in the middle. Connect grounding on ground plate.

The manifold is mounted with compression fittings at process outlet, relief valve, purge inlets and purge outlets, if existent connect safety and/or check valve.

First remove the plastic caps from all connections.

The piping has to be inserted completely into the compression fitting.

Then screw the nut hand tight. After that screw with a jaw spanner 1 ¼ turns tight (first installation 1 1/4 turns for tubes bigger than 1/8 inch and 3/4 turns for 1/8 inch and smaller tubes, retightening 1/4 for all tubes).

Connect the relief tubing the same way. It is not allowed to connect relief and purge tubing. They have to go separately and safe to the outside, also the safety valve tubing.

To connect the gas cylinder to the manifold coils and flexible hoses are suitable (available accessories)

The stainless steel coils or flexible hose is always delivered separately. The correct allocation has to be proved. At the connection nut you can see the type of cylinder connection. There is only one design of coil/hoses to connect it at the right and left side of manifold.

To mount the coil/ hose please remove plastic caps from the thread. Make sure that the gasket, which is scope of delivery, is inserted. Connect the nut with the inlet of the manifold hand tight and afterwards screw with a jaw spanner.

To connect the coil/hose with the gas cylinder, the thread of the cylinder valve and of the nut need to be in perfect condition. Any time you connect new gas cylinder, use new cylinder connection.

Only coils and hoses from manufacturer suitable for used gases have to be used. Check gasket or correct position in connection thread of coil/hose. Using a spanner extension is not allowed, it can cause damage of thread and gasket and leads to leakage.

6.4. REQUIRED QUALIFICATIONS FOR INITIAL START-UP AND CYLINDER CHANGING

- The test protocols from the piping according to tightness and if necessary moisture and particles are available
- Process gas tubes, vent piping and purge gas tubing, safety valve and check valve tubing if existent is connected
- In process gas tubing is only standard gas (see 1.2)
- The start-up is only realized by qualified personal
- Wear safety clothes according to regulations
- Use spark-free tools and provide before installation
- Before first start-up check type label, if the manifold is suitable for the provided purpose (gas, pressure, material, etc.)

6.5. INITIAL START UP

- All requirements are fulfilled as on point 6.4
- Manifold is depressurized, handwheel turned completely to left side
- All valves on manifold are closed



WARNING!

- Make sure the manifold components are not exposed to pressure levels that exceed their respective permissible nominal pressure.
- Make sure that nobody could be hurt because of the initial start-up of manifolds.

6.5.1. PROCESS GAS PURGING (S300/S200/S60)

Manifolds with process gas purging were used to get air from the atmosphere out of the components, before you change cylinder or you want to depressurize coil or hose before cylinder change.

1. Valve for process gas purging is closed, toggle is transverse to the direction of flow (2-port valve)
2. Pressure regulator is depressurized (closed)
3. Close inlet shut-off valve, red marking is visible (4-port valve)
4. Now the inlet shut-off valve is just closed in direction pressure regulator. The way through purge valve is open.
5. Slowly open cylinder valve
6. Process gas is streaming into coil/ hose
7. Close cylinder valve
8. Shortly open purge outlet valve and let the gas from the coil/hose go
9. Immediately close purge outlet valve after that

REPEAT STEPS 4.-9. FOR MINIMUM 10 TIMES

6.5.2. EXTERNAL INERT GAS PURGING (S203)

Manifolds of type S203 with external gas purging were used to purge toxic or corrosive gas before cylinder change and to depressurize coil or hose. Make sure that relief valve tubing is connected.

1. Check if purge gas inlet, purge gas outlet, process gas inlet, relief valve and if existent safety valve are connected properly
2. Close all valves, red marking is visible (4-Port)
3. Close pressure regulator by turning the handwheel anti clockwise
4. Open purge inlet valve
5. Close purge inlet valve. Gas has to stay for any seconds inside the component.
6. Open purge outlet valve for a very short time to release external purge gas through purge gas outlet tubing
7. Close purge outlet valve

REPEAT STEPS 4.-7. FOR MINIMUM 10 TIMES

6.5.3. FILL THE PROCESS GAS TUBING WITH PROCESS GAS

Before initial start-up and filling the gas tubing with process gas depending on manifold version process gas purging (see point 6.5.1) or inert gas purging (see point 6.5.2) is necessary. Because of safety reasons we recommend to connect relief gas tubing.

1. Check if purge gas inlets, purge gas outlets, process gas inlets, relief valve and if existent safety valve and/ or check valves are connected properly
2. All valves are closed, red mark is visible (4-Port)
3. Turn handwheel of the pressure regulator all the way to stop – regulator is closed
4. Slowly open cylinder valve
5. Slowly open inlet shut-off valves
6. Set outlet pressure with regulator handwheel by turning clockwise
7. Manifold is now in operation

WE RECOMMEND CHECKING THE MANIFOLD AND PRESSURE GAUGES ON DAILY BASIS.

6.5.4. CHANGE EMPTY GAS CYLINDER



NOTE!

- MAK- Value (see Technical Rules for Hazardous Substances, TRGS 900)
1. Close cylinder valve
 2. Close inlet valve
 3. Open purge outlet valve to depressurize coil/ hose.
 4. S300/S200/S60: purge with process gas purging (see point 6.5.1)
S203: purge with external external inert gas purging (see point 6.5.2)
 5. Close inlet shut-off valve at empty cylinder
 6. Disassemble coil/ hose from gas cylinder
 7. Connect new gas cylinder, use **ALWAYS** new gasket

BEFORE START-UP AGAIN:

8. S300/S200/S60: purge with process gas purging (see point 6.5.1)
S203: purge with inert gas purging (see point 6.5.2)
9. Fill coil/hose with process gas.

6.5.5. TAKING MANIFOLD OUT OF OPERATION

By turning the handwheel anti clockwise close the regulator on manifold.

The closing of regulator guarantees no complete tightness against gas leakage through coils or connected consumers.

Always close cylinder valve because of safety reasons.

IF THE MANIFOLD WILL BE COMPLETELY DISASSEMBLED, NOTE THE FOLLOWING:

**WARNING!**

- Depressurize pressure regulator and tubing through consumer.
- Inlet and outlet pressure gauge show "0" bar .
- If necessary, perform natural gas or external gas purging.
- Appropriate safeguards for personnel are necessary.
- Note MAK-Values.
- Unconditionally note that it is not allowed to use the manifold with more than proper pressure.
- Make sure that nobody is endangered because of start-up of the manifold.

6.6. TESTS

- After pressurizing the complete function of manifold should be tested
- Check relief valve
- Check all valves

7. OPERATION

In reference to chapter 2.1 the operation of the manifold is defined.

**BEWARE!**

- Valves must always be opened slowly and carefully to prevent pressure surges in the system and damage to the other components!

8. MAINTENANCE**8.1. SAFETY NOTES FOR MAINTENANCE****NOTE!**

- Maintenance may only be performed by sufficiently qualified, trained and authorized individuals (see section 2.4)

8.2. MAINTENANCE PLAN

The following sections describe the maintenance works that must be performed to ensure the optimum and trouble-free operation of the regulator.

If regular inspections reveal increased wear, the requisite maintenance intervals must be shortened to reflect the actual wear and tear.

**NOTE!**

- Please contact the manufacturer if you have any questions relating to maintenance works and intervals.

Interval	Maintenance work	Personal
Weekly	Check all components visually	Competent Person (TRBS 1203)
Every year	Checking function & tightness, check for all safety relevant components	Competent Person (TRBS 1203)
Every 10 years	General overhaul and replacement of all wearing parts	Competent Person (TRBS 1203)

8.3. MAINTENANCE WORK

8.3.1. CLEANING



NOTE!

- All cleaning agents must be compatible with the materials of the installed component.

8.3.2. REQUIREMENTS FOR MAINTENANCE

CHECK BEFORE MAINTENANCE START, IF:

- Gas supply is disconnected and safe
- Manifold is depressurized
- Pressure regulator is depressurized
- Valves are closed
- No process gas inside component.
- System is purged and filled with inert gas.

8.3.3. NECESSARY MAINTENANCE

- Check accuracy of pressure gauges
- Manifold, pressure regulator, valve and gauges: check condition, function and labeling
- Check labelling
- Check for corrosion
- Check function
- Pressure test with 1-times working pressure for 12 hours
- Worn and defective components must be changed immediately from authorized qualified company
- Valve is designed according to ISO 10297, including type test with cycle test from up to 2000 cycles. Change inner parts after 2000 cycles, change must be done from authorized qualified company
- If there are any leakages or too much corrosion at the manifold/ pressure regulator or valve, component must be replaced with all connections by an authorized company
- After the changing of components or tubes, pressure and leakage test must be done again and be protocolled

8.4. MEASURES FOLLOWING MAINTENANCE

THE FOLLOWING STEPS MUST BE PERFORMED WHEN THE MAINTENANCE WORKS HAVE BEEN COMPLETED AND BEFORE SWITCHING ON THE SYSTEM:

1. Make sure that all tools, materials and other equipment have been removed from work area.
2. Clean the work area and remove any spilled substances, e.g. liquids, processing material or similar.
3. Make sure that safety relevant components are working perfect.

9. TROUBLESHOOTING

The following section describes possible causes of malfunction and how to eliminate them. If malfunctions occur with increasing regularity, shorten the maintenance intervals to reflect the actual load. If malfunctions occur that cannot be eliminated with the following help, please contact the manufacturer.

9.1. SAFETY NOTES FOR TROUBLESHOOTING

In any case of malfunction, the shut-off valves of the connected gas cylinder, gas container or bundle must be closed. Never operate devices with malfunctions under pressure.

WHAT TO DO IN CASE OF MALFUNCTION:

1. Interrupt and ensure gas supply.
2. Depressurize pressure regulators and close valves.
3. Only trained technical staff may eliminate malfunctions.
4. Restore component to its original state.

Description	Reason	Solution	Valve	Cylinder Regulator	Line Regulator	Gas Supply Panel
No Flow (Inlet Gauge shows pressure, outlet gauge not)	Pressure Regulator is closed	Open pressure regulator slowly Close purge valve		<input checked="" type="checkbox"/>	<input checked="" type="checkbox"/>	<input checked="" type="checkbox"/>
No Flow (Inlet and Outlet Gauge show „0“)	Cylinder Valve closed Processgas Valve closed Pressure Regulator closed Cylinder coil/ hose not connected	Initial Start- Up see point 6 Installation and initial start-up		<input checked="" type="checkbox"/>	<input checked="" type="checkbox"/>	<input checked="" type="checkbox"/>
No Flow	Handwheel closed	Open hand-wheel slowly	<input checked="" type="checkbox"/>			
Increase of outlet pressure & relief valve opens	Leakage in pressure regulator seat	Repair by manufacturer		<input checked="" type="checkbox"/>	<input checked="" type="checkbox"/>	<input checked="" type="checkbox"/>
Slight increase of outlet pressure & relief valve does not open	Inlet pressure drop	No failure, normal operating state		<input checked="" type="checkbox"/>	<input checked="" type="checkbox"/>	<input checked="" type="checkbox"/>
Slight increase of outlet pressure	Difference between flow pressure (with gas flow) and Zero Pressure (without gas flow)	No failure, normal operating state		<input checked="" type="checkbox"/>	<input checked="" type="checkbox"/>	<input checked="" type="checkbox"/>
Slight drop of outlet pressure	Difference between flow pressure (with gas flow) and Zero Pressure (without gas flow)	No failure, normal operating state		<input checked="" type="checkbox"/>	<input checked="" type="checkbox"/>	<input checked="" type="checkbox"/>
Heavy drop of outlet pressure	Required flow to high for pressure regulator	Choose new pressure regulator for required pressure and flow		<input checked="" type="checkbox"/>	<input checked="" type="checkbox"/>	<input checked="" type="checkbox"/>
Heavy drop of outlet pressure	Leakage in process gas tubing	Check process gas tubing		<input checked="" type="checkbox"/>	<input checked="" type="checkbox"/>	<input checked="" type="checkbox"/>

Description	Reason	Solution	Valve	Cylinder Regulator	Line Regulator	Gas Supply Panel
Outlet Pressure to high	Wrong settings for pressure regulator	Adjust pressure regulator settings, readjust pressure regulator, maintenance		<input checked="" type="checkbox"/>	<input checked="" type="checkbox"/>	<input checked="" type="checkbox"/>
Outlet pressure increase immediately all the way to the stop or outlet pressure increases and gets slowly higher than set value and relief valve opens	Pollution or damage of pressure regulator seat "Creap"	Repair by manufacturer		<input checked="" type="checkbox"/>	<input checked="" type="checkbox"/>	<input checked="" type="checkbox"/>
Noise during operation	Required flow too high for pressure regulator	Choose new pressure regulator for required pressure and flow		<input checked="" type="checkbox"/>	<input checked="" type="checkbox"/>	<input checked="" type="checkbox"/>
No changes of valve control when turning the handwheel	Defect handwheel because of too high torque, defect of spindle, defect of thread	Repair by manufacturer	<input checked="" type="checkbox"/>	<input checked="" type="checkbox"/>	<input checked="" type="checkbox"/>	<input checked="" type="checkbox"/>
Moisture on pressure regulator (NO dew, rain or snow)	Pressure regulator withdraw energy from environment through gas expansion	No failure, normal operating state		<input checked="" type="checkbox"/>	<input checked="" type="checkbox"/>	<input checked="" type="checkbox"/>
Icing on pressure regulator (NO dew, rain or snow)	Pressure regulator withdraw energy from environment through gas expansion, limited delivery performance from pressure gas tanks, e.g. N ₂ O, CO ₂	No failure, normal operating state ATTENTION: keep functionality of contact gauges in mind, raise quantity of pressure gas tanks		<input checked="" type="checkbox"/>	<input checked="" type="checkbox"/>	<input checked="" type="checkbox"/>

This table is not exhaustive. For questions and ambiguities please contact manufacturer.

10. DISMANTLING AND DISPOSAL

Once the system has reached its end-of-life, it must be dismantled and disposed of in an environmentally compatible way.

10.1. SAFETY NOTES FOR DISMANTLING AND DISPOSAL

EN



WARNING!

- **Risk of injury through incorrect dismantling!**

RESIDUAL ENERGY STORAGE, SHARP EDGED COMPONENTS, TIPS AND CORNERS ON AND IN THE SYSTEM OR ON THE REQUIRED TOOLS CAN CAUSE INJURY.

- arrange enough space for working
- be careful with sharp edges
- pay attention for order and cleanness
- loose components can cause accidents
- dismantle the components properly. Bear in mind that some of the components are heavy. Use lifting equipment if necessary
- secure the components against falling or toppling over

10.2. DISMANTLING

PRIOR STARTING DISMANTLING

Close second pressure stage regulator by turning the handwheel anti clockwise.

Depressurize second pressure stage regulator and make sure that there is no process gas inside the gas supply panel anymore.

Close process gas valves and make sure that there is no process gas inside

Depressurize high pressure side by using purge gas shut-off valves.

Depressurize tubing system and purge with inert gas if necessary.

Depending on manifold make process gas (see 6.5.1) or inert gas purging (see 6.5.2)

Dismantle the assemblies and components properly and in compliance with applicable local work safety and environmental protection regulations.

At the end devices and components have to be cleaned and disassembled due to valid rules of industrial safety and environment protection.



WARNING!

- **Do not open system filled or used with toxic and/ or corrosive gases.**

10.3. DISPOSAL

In the absence of a return or disposal agreement, the dismantled components should be recycled as follows:

Metals: scrap.

Plastics: recycle.

Other components: sort and dispose.

In accordance with Article 33 of REACH GCE, s.r.o. as responsible manufacturer shall inform all customers if materials containing 0.1% or more of substances included in the list of Substance of Very High Concern (SVHC).

The most commonly used brass alloys used for bodies and other brass components contain 2-3% of lead (Pb), EC no. 231-468-6, CAS no. 7439-92-1. The lead will not be released to the gas or surrounding environment during normal use. After end of life the product shall be scrapped by an authorized metal recycler to ensure efficient material handling with minimal impact to environment and health.

To date we have no information that indicates that other materials containing SVHC of concentrations exceeding 0.1% are included in any GCE product.



NOTE!

- ***Risk of environmental harm through incorrect disposal!***
- Incorrect disposal can harm the environment.
- Commission a specialized licensed firm to dispose of electrical waste, electronic components, lubricants and other auxiliary materials.
- If in doubt, enquire how to ensure environmentally compatible disposal at your local council office or consult a specialist disposal firm.

EN

www.linde.com

These products were manufactured on behalf of Linde GmbH.

INHALT

1. ALLGEMEINES	30
1.1. INFORMATION ZU DIESER ANLEITUNG	30
1.2. INFORMATION ZUR ENTSPANNUNGSSTATION	30
1.2.1. S300/S200/S60.....	31
1.2.2. S203	31
1.3. SYMBOLERKLÄRUNG.....	31
1.4. HAFTUNGSBESCHRÄNKUNG.....	32
1.5. URHEBERSCHUTZ	32
1.6. ERSATZTEILE	32
1.7. GEWÄHRLEISTUNGSBESTIMMUNGEN	33
1.8. KUNDENSERVICE	33
2. SICHERHEIT	33
2.1. BESTIMMUNGSGEMÄSSE VERWENDUNG.....	33
2.1.1. BAULICHE VERÄNDERUNG AN DER ENTSPANNUNGSSTATION	33
2.2. GRUNDSÄTZLICHE GEFAHREN	33
2.3. VERANTWORTUNG DES BETREIBERS	35
2.4. PERSONALANFORDERUNGEN.....	35
2.4.1. QUALIFIKATIONEN	35
2.4.2. UNBEFUGTE	36
2.4.3. UNTERWEISUNG	36
2.5. PERSÖNLICHE SCHUTZAUSRÜSTUNG	36
2.6. VERHALTEN BEI FEUER AUSBRUCH UND BEI UNFÄLLEN.....	37
2.7. UMWELTSCHUTZ	37
2.8. BESCHILDERUNG.....	37
2.8.1. GEBOTZEICHEN	37
2.8.2. VERBOTZEICHEN	37
2.8.3. WARNZEICHEN.....	37
3. TECHNISCHE DATEN	38
3.1. FLIESSSCHEMA – S300/S200/S60.....	38
3.2. MASSBLATT – S300/S200/S60	39
3.3. FLIESSSCHEMA – S203	40
3.4. MASSBLATT – S203	41
3.5. ALLGEMEINE ANGABEN	42
3.6. ANSCHLUSSWERTE	42
3.7. LEISTUNGSWERTE	42
3.8. BETRIEBSBEDINGUNGEN UMGEBUNG	42
4. AUFBAU UND FUNKTION	43
4.1. AUFBAU – S300/S200/S60	43
4.2. AUFBAU – S203	43
4.3. KURZBESCHREIBUNG.....	43
5. TRANSPORT, VERPACKUNG UND LAGERUNG	44
5.1. SICHERHEITSHINWEISE FÜR DEN TRANSPORT.....	44
5.2. TRANSPORT INSPEKTION	45
5.3. VERPACKUNG.....	45
5.4. LAGERUNG	45

- 6. INSTALLATION UND ERSTINBETRIEBNAHME 45
 - 6.1. SICHERHEITSHINWEISE FÜR DIE INSTALLATION UND ERSTINBETRIEBNAHME 45
 - 6.2. VORBEREITUNGEN 45
 - 6.3. INSTALLATION 46
 - 6.4. VORAUSSETZUNG ZUR ERSTINBETRIEBNAHME 46
 - 6.5. ERSTINBETRIEBNAHME 47
 - 6.5.1. PROZESSGASSPÜLUNG (S300/S200/S60) 47
 - 6.5.2. FREMDGASSPÜLUNG (S203) 47
 - 6.5.3. FÜLLEN DER PROZESSGASLEITUNG MIT PROZESSGAS 47
 - 6.5.4. FLASCHENWECHSEL 48
 - 6.5.5. AUSSERBETRIEBNAHME DER ANLAGE 48
 - 6.6. PRÜFUNGEN 48
- 7. BETRIEB 48
- 8. WARTUNG 48
 - 8.1. SICHERHEITSHINWEISE FÜR DIE WARTUNG 48
 - 8.2. WARTUNGSPLAN 49
 - 8.3. WARTUNGSARBEITEN 49
 - 8.3.1. REINIGUNG 49
 - 8.3.2. VORAUSSETZUNG ZUR WARTUNG 49
 - 8.3.3. NOTWENDIGE WARTUNGSLEISTUNG 49
 - 8.4. MASSNAHMEN NACH ERFOLGTER WARTUNG 50
- 9. STÖRUNGEN 50
 - 9.1. SICHERHEITSHINWEISE FÜR DIE STÖRUNGSBEHEBUNG 50
- 10. DEMONTAGE UND ENTSORGUNG 52
 - 10.1. SICHERHEITSHINWEISE FÜR DIE DEMONTAGE UND ENTSORGUNG 52
 - 10.2. DEMONTAGE 53
 - 10.3. ENTSORGUNG 53

1. ALLGEMEINES

DE

1.1. INFORMATION ZU DIESER ANLEITUNG

Diese Anleitung gilt für Entspannungsstationen des Typs:

- S300
- S203
- S200
- S60

Diese Entspannungsstationen werden verwendet um Gas aus Druckgasbehältern zu entnehmen und zu entspannen. Die Entspannungsstationen werden dauerhaft an der Wand befestigt und mit Wendelleitungen oder Wellschläuchen an den Gasdruckbehältern angeschlossen. Diese Anleitung ermöglicht den sicheren und effizienten Umgang mit dem Gerät. Die Anleitung ist Bestandteil des Geräts und muss in unmittelbarer Nähe des Geräts für das Personal jederzeit zugänglich aufbewahrt werden. Das Personal muss diese Anleitung vor Beginn aller Arbeiten sorgfältig durchgelesen und verstanden haben. Grundvoraussetzung für sicheres Arbeiten ist die Einhaltung aller angegebenen Sicherheitshinweise und Handlungsanweisungen in dieser Anleitung. Darüber hinaus gelten die örtlichen Unfallverhütungsvorschriften und allgemeinen Sicherheitsbestimmungen für den Einsatzbereich des Geräts. Abbildungen in dieser Anleitung dienen dem grundsätzlichen Verständnis und können von der tatsächlichen Ausführung abweichen.

1.2. INFORMATION ZUR ENTSPANNUNGSSTATION

Entspannungsstationen dieses Typs dürfen nur mit denen als Standard Gas definierten Gasen verwendet werden. Der maximale Arbeitsdruck für diese Entspannungsstationen beträgt 300 bar. Einstufige Entspannungsstationen bestehen aus Ventilen und Druckregler mit Metallmembran. Hergestellt und zugelassen nach ISO7291/10297 inklusive Sauerstoff-Ausbrenntest.

Produkt Linie	(Reinheit 6.0 Messing verchromt)	(Reinheit 6.0 Edelstahl)
Hochdruck Regler mit FKM Dichtung im Abblaseventilsitz	<ul style="list-style-type: none"> • Verwendbare Gase (inclusive deren Mischungen) <ul style="list-style-type: none"> • Reinstgas • Inert • Brennbar • Brandfördernd • O₂ • NICHT verwendbare Gase (inclusive deren Mischungen) <ul style="list-style-type: none"> • Ätzend • Giftig • CO₂, N₂O 	<ul style="list-style-type: none"> • Verwendbare Gase (inclusive deren Mischungen) <ul style="list-style-type: none"> • Reinstgas • Inert • Brennbar • O₂ bis 200 bar • Ätzend • Giftig • Bei Unklarheiten bitte Rücksprache halten • NICHT verwendbare Gase (inclusive deren Mischungen) <ul style="list-style-type: none"> • O₂ (über 200 bar) • CO₂, N₂O • NH₃, SO₂, H₂S

<p>Hochdruck Regler mit EPDM Dichtung im Abblaseventilsitz</p>	<ul style="list-style-type: none"> • Verwendbare Gase (inclusive deren Mischungen) <ul style="list-style-type: none"> • High Purity • Inert • Brennbar • Brandfördernd • CO₂, N₂O • NICHT verwendbare Gase (inclusive deren Mischungen) <ul style="list-style-type: none"> • Ätzend • Giftig • O₂ (Anteil größer als 21%) • Kohlenwasserstoffe 	<ul style="list-style-type: none"> • Verwendbare Gase (inclusive deren Mischungen) <ul style="list-style-type: none"> • High Purity • Inert • Brennbar • Brandfördernd • Ätzend • Giftig • Bei Unklarheiten bitte Rücksprache halten <ul style="list-style-type: none"> • CO₂, N₂O • NH₃, SO₂, H₂S • NICHT verwendbare Gase (inclusive deren Mischungen) <ul style="list-style-type: none"> • O₂ (Anteil größer als 21%) • Kohlenwasserstoffe
---	--	---

DE

Diese Tabelle erhebt keinen Anspruch auf Vollständigkeit. Bei Fragen und Unklarheiten kontaktieren Sie bitte den Hersteller.

1.2.1. S300/S200/S60

Diese Entspannungstation ist in der Messing verchromtem und in der Edelstahlversion erhältlich. Sie besteht aus folgenden Komponenten:

- Druckregler mit Eingangs- und Ausgangsdruckmanometer
- Spülventil für Prozessgasspülung und 4-Port Absperrventil am Eingang
- Abblaseventil
- Frontplatte und Grundplatte

ZUSATZ

- S: Sicherheitsventil am Ausgang
- C: Rückschlagventile an den Eingängen
- U: Sicherheitsventil am Ausgang und Rückschlagventile an den Eingängen

1.2.2. S203



Diese Entspannungstation ist nur in der Edelstahlversion erhältlich. Sie besteht aus folgenden Komponenten:

- Druckregler mit Eingangs- und Ausgangsdruckmanometer
- Jeweils zwei 4-Port Spülventile und ein 2-Port Ventil für Inert Gas Spülung an den Eingängen
- Abblaseventil
- Frontplatte und Grundplatte

ZUSATZ

- S: Sicherheitsventil am Ausgang

1.3. SYMBOLERKLÄRUNG

SICHERHEITSHINWEISE	Sicherheitshinweise sind in dieser Anleitung durch Symbole gekennzeichnet. Die Sicherheitshinweise werden durch Signalworte eingeleitet, die das Ausmaß der Gefährdung zum Ausdruck bringen.
	<p>GEFAHR!</p> <p>Diese Kombination aus Symbol und Signalwort weist auf eine unmittelbar gefährliche Situation hin, die zum Tod oder zu schweren Verletzungen führt, wenn sie nicht gemieden wird.</p>
	<p>WARNUNG!</p> <p>Diese Kombination aus Symbol und Signalwort weist auf eine möglicherweise gefährliche Situation hin, die zum Tod oder zu schweren Verletzungen führen kann, wenn sie nicht gemieden wird.</p>

**VORSICHT!**

Diese Kombination aus Symbol und Signalwort weist auf eine möglicherweise gefährliche Situation hin, die zu geringfügigen oder leichten Verletzungen führen kann, wenn sie nicht gemieden wird.

**HINWEIS!**

Diese Kombination aus Symbol und Signalwort weist auf eine möglicherweise gefährliche Situation hin, die zu Sach- und Umweltschäden führen kann, wenn sie nicht gemieden wird.

**TIPPS UND EMPFEHLUNGEN**

Dieses Symbol hebt nützliche Tipps und Empfehlungen sowie Informationen für einen effizienten und störungsfreien Betrieb hervor.

BESONDERE HINWEISE

Um auf besondere Gefahren aufmerksam zu machen, werden in Sicherheitshinweisen folgende Symbole eingesetzt.

**GEFAHR!**

Diese Kombination aus Symbol und Signalwort weist auf eine unmittelbar gefährliche Situation durch elektrischen Strom hin. Wird ein so gekennzeichnete Hinweis nicht beachtet, sind schwere oder tödliche Verletzungen die Folge.

1.4. HAFTUNGSBESCHRÄNKUNG

Alle Angaben und Hinweise in dieser Anleitung wurden unter Berücksichtigung der geltenden Normen und Vorschriften, des Stands der Technik sowie unserer langjährigen Erkenntnisse und Erfahrungen zusammengestellt. In folgenden Fällen übernimmt der Hersteller für Schäden keine Haftung:

- Nichtbeachtung dieser Anleitung
- von der bestimmungsgemäßen, abweichenden Verwendung
- Einsatz von nicht ausgebildetem Personal
- eigenmächtige technische und bauliche Veränderungen
- Verwendung nicht zugelassener Ersatzteile
- Betreiben des druckführenden Gerätes bei defekten Sicherheitseinrichtungen oder nicht funktionsgemäß angebrachten oder nicht funktionsfähigen Sicherheits- und Schutzvorrichtungen
- mangelhafte Überwachung von Ausrüstungs-, Verschraubungs- und Dichtungsteilen, die einem Verschleiß unterliegen
- unsachgemäß durchgeführte Reparaturen
- Überschreitung oder Unterschreitung des im Datenblatt angegebenen Temperaturbereichs während des Betriebes bzw. während der Lagerung
- Katastrophenfälle durch Fremdkörpereinwirkung und höhere Gewalt

Der tatsächliche Lieferumfang kann bei Sonderausführungen, der Inanspruchnahme zusätzlicher Bestellungen oder aufgrund neuester technischer Änderungen von den hier beschriebenen Erläuterungen und Darstellungen abweichen. Es gelten die im Liefervertrag vereinbarten Verpflichtungen, die allgemeinen Geschäftsbedingungen sowie die Lieferbedingungen des Herstellers und die zum Zeitpunkt des Vertragsabschlusses gültigen gesetzlichen Regelungen.

1.5. URHEBERSCHUTZ

Die Inhalte dieser Anleitung sind urheberrechtlich geschützt. Ihre Verwendung ist im Rahmen der Nutzung des Geräts zulässig. Eine darüber hinausgehende Verwendung ist ohne schriftliche Genehmigung des Herstellers nicht gestattet.

1.6. ERSATZTEILE**WARNUNG!**

- Verletzungsgefahr durch die Verwendung falscher Ersatzteile!
- Durch die Verwendung falscher oder fehlerhafter Ersatzteile können Gefahren für das Personal entstehen sowie Beschädigungen, Fehlfunktionen oder Totalausfall verursacht werden.

- Nur Originalersatzteile des Herstellers oder vom Hersteller zugelassene Ersatzteile verwenden.
- Bei Unklarheiten stets Hersteller kontaktieren.



GARANTIEVERUST!

- Bei Verwendung nicht zugelassener Ersatzteile erlischt die Herstellergarantie

1.7. GEWÄHRLEISTUNGSBESTIMMUNGEN

Grundsätzlich gelten unsere "Allgemeinen Verkaufs- und Lieferbedingungen". Diese stehen dem Kunden spätestens seit Vertragsabschluss zur Verfügung.

1.8. KUNDENSERVICE

Wir sind stets an Informationen und Erfahrungen interessiert, die sich aus der Anwendung ergeben und für die Verbesserung unserer Produkte wertvoll sein können.

DE

2. SICHERHEIT

Dieser Abschnitt gibt einen Überblick über alle wichtigen Sicherheitsaspekte für den Schutz von Personen sowie für den sicheren und störungsfreien Betrieb. Weitere aufgabenbezogene Sicherheitshinweise sind in den Abschnitten zu den einzelnen Lebensphasen enthalten.

2.1. BESTIMMUNGSGEMÄSSE VERWENDUNG

Die Entspannungsstationen nur für die angegebenen Gase und Drücke unter Einhaltung der angegebenen Temperaturen zu verwenden. Der nominale Volumenstrom beträgt 20 m³/h (Druckluft).

Zur bestimmungsgemäßen Verwendung gehören auch die Einhaltung aller Angaben und Hinweise in dieser Anleitung und die Einhaltung der Inspektions- und Wartungsarbeiten, sowie das Beachten des Typenschildes und der Datenblätter.

Jede über die bestimmungsgemäße Verwendung hinausgehende oder andersartige Benutzung gilt als Fehlgebrauch.



WARNUNG!

- **Gefahr bei Fehlgebrauch!**
- Fehlgebrauch der Entspannungsstationen kann zu gefährlichen Situationen führen.
- Niemals die Entspannungsstationen für Flüssigkeiten verwenden.
- Niemals Quellen mit höheren Eingangsdrücken anschließen als für die entsprechende Entspannungsstation vorgesehen

2.1.1. BAULICHE VERÄNDERUNG AN DER ENTSPANNUNGSSTATION

Ohne schriftliche Genehmigung des Herstellers keine Veränderung, An- oder Umbauten an der Entspannungsstation vornehmen.

Entspannungsstationen in nicht einwandfreiem Zustand sind sofort auszutauschen

Reinigung der Gasgeräte und Entsorgung der Rückstände

Verwendete zur Reparatur anstehende Entspannungsstationen sind mit einem inerten Gas (Stickstoff) zu spülen.

Geräuschentwicklung

In einigen Fällen kann das ungünstige Zusammenwirken bestimmter Einflussgrößen, wie z.B. Durchfluss und Druckbereich, aber auch die Gasart selbst zu Geräuschentwicklung führen. Bitte setzen Sie sich in diesen Fällen mit dem Hersteller in Verbindung.

2.2. GRUNDSÄTZLICHE GEFAHREN

Im folgenden Abschnitt sind Restrisiken benannt, die vom Gerät auch bei bestimmungsgemäßer Verwendung ausgehen können.

Um die Risiken von Personen- und Sachschäden zu reduzieren und gefährliche Situationen zu vermeiden, müssen die hier aufgeführten Sicherheitshinweise und die Sicherheitshinweise in den weiteren Abschnitten dieser Anleitung beachtet werden.

**GEFAHR!**

- **Gase können lebensgefährlich sein!**
- Gase können die Luft verdrängen und damit den darin enthaltenen Sauerstoff. Dies kann zum Erstickungsstod führen. Sauerstoff bildet eine hoch oxidative Atmosphäre. Brennbare Gase können eine explosive Atmosphäre bilden.

DAHER:

- Für ausreichende Belüftung sorgen!
- Installation nur durch eine zertifizierte Fachfirma!
- ATEX Richtlinien beachten

**ACHTUNG!**

- **Gefahren die durch die Umgebung entstehen können!**
- Durch Kondensation und/ oder Vereisung können defekte am Gerät entstehen.

DAHER:

- Temperaturbereiche beachten!
- Schützen Sie das Gerät gegen Flüssigkeiten von außen!
- Schützen Sie das Gerät gegen Staub von außen!
- Wettergeschützt montieren!
- Vorhandene Erdung sachgemäß anbringen!

**WARNUNG!**

- **Unfallgefahr bei der Verwendung von Öl und Fett!**
- Öle und Fette dürfen in Druckregelsystemen grundsätzlich nicht verwendet werden. Öle und Fette sind hochentzündlich und reagieren heftig mit bestimmten komprimierten Gasen.

DAHER:

- Keinesfalls Öl und Fett einsetzen!

**WARNUNG!**

- **Unfallgefahr durch im System gespeicherte Energie!**
- Durch falsche Handhabung können drucktragende Teile oder Einzelteile dieser unkontrolliert in Bewegung geraten und ernsthafte oder sogar tödliche Verletzungen verursachen. Durch falsche Handhabung kann Gas aus den drucktragenden Teilen austreten und ernsthafte oder sogar tödliche Verletzungen hervorrufen.

VOR BEGINN ALLER ARBEITEN MIT DRUCKTRAGENDE TEILEN:

- Installation nur durch eine zertifizierte Fachfirma!
- Schutzbrille tragen!
- Gehörschutz tragen!
- Sicherstellen, dass System nicht unter Druck steht!
- Sicherstellen, dass keine Energie mehr im System gespeichert ist!
- Sicherstellen, dass kein Gas ungewollt austreten kann!
- Sicherstellen, dass defekte Teile unmittelbar durch geschultes Personal ausgetauscht werden!

**WARNUNG!**

- **Unfallgefahr!**
- Durch falsche Installation kann es zu ernsthafte oder sogar tödliche Verletzungen kommen.

DAHER:

- Sicherung der Geräte vor Herunterfallen während der Installation!
- Geräte nicht werfen!

Drucktragende Teile sind nur für die bestimmungsgemäße Verwendung zu benutzen.

Bei mechanischer Beschädigung der Rohrleitungen und Armaturen muss das System in den sicheren Zustand gebracht werden (betroffenen Abschnitt sperren).

Störungen, welche die Sicherheit beeinträchtigen können, sind umgehend durch dafür geschulte und qualifizierte Mitarbeiter bzw. den Hersteller zu beseitigen.

Besonders bei Gasen besteht die Gefahr eines Defektes am Leitungsdruckregler. Kennzeichen dafür sind entweder kein Gasdurchfluss nach dem Druckregler oder ein plötzlicher Hinterdruckanstieg. Bei Defekt des

Druckreglers ist das System sofort außer Betrieb zu nehmen. Die zuständige Wartungsfirma ist unbedingt zu informieren. Nie Abblaseleitungen verschließen.

2.3. VERANTWORTUNG DES BETREIBERS

BETREIBER

Betreiber ist diejenige Person, die das Gerät zu gewerblichen oder wirtschaftlichen Zwecken selbst betreibt oder einem Dritten zur Nutzung/Anwendung überlässt und während des Betriebs die rechtliche Produktverantwortung für den Schutz des Benutzers, des Personals oder Dritter trägt.

BETREIBERPFLICHTEN

Das Gerät wird im gewerblichen Bereich eingesetzt. Der Betreiber des Geräts unterliegt daher den gesetzlichen Pflichten zur Arbeitssicherheit.

Neben den Sicherheitshinweisen in dieser Anleitung müssen die für den Einsatzbereich des Geräts gültigen Sicherheits-, Unfallverhütungs- und Umweltschutzvorschriften eingehalten werden.

DABEI GILT INSBESONDERE FOLGENDES:

- Der Betreiber muss sich über die geltenden Arbeitsschutzbestimmungen informieren und in einer Gefährdungsbeurteilung zusätzlich Gefahren ermitteln, die sich durch die speziellen Arbeitsbedingungen am Einsatzort des Geräts ergeben. Diese muss er in Form von Betriebsanweisungen für den Betrieb des Geräts umsetzen.
- Der Betreiber muss während der gesamten Einsatzzeit des Geräts prüfen, ob die von ihm erstellten Betriebsanweisungen dem aktuellen Stand der Regelwerke entsprechen, und diese, falls erforderlich, anpassen.
- Der Betreiber muss die Zuständigkeiten für Installation, Bedienung, Störungsbeseitigung, Wartung und Reinigung eindeutig regeln und festlegen.
- Der Betreiber muss dafür sorgen, dass alle Personen, die mit dem Gerät umgehen, diese Anleitung gelesen und verstanden haben. Darüber hinaus muss er das Personal in regelmäßigen Abständen schulen und über die Gefahren informieren.
- Der Betreiber muss dem Personal die erforderliche Schutzausrüstung bereitstellen und das Tragen der erforderlichen Schutzausrüstung verbindlich anweisen.
- Darüber hinaus ist der Betreiber dafür verantwortlich, dass die volle technische Zuverlässigkeit der Anlage jederzeit gewährleistet ist.

DAMIT GILT FOLGENDENDES:

- Der Betreiber muss die Einhaltung der in dieser Anleitung angegebenen Wartungsintervalle sicherstellen.
- Der Betreiber muss sicherstellen, dass alle Sicherheitseinrichtungen regelmäßig auf Funktionssicherheit und Vollständigkeit überprüft werden

2.4. PERSONALANFORDERUNGEN

2.4.1. QUALIFIKATIONEN

Die verschiedenen in dieser Anleitung beschriebenen Aufgaben stellen unterschiedliche Anforderungen an die Qualifikation der Personen, die mit diesen Aufgaben betraut sind.



WARNUNG!

- **Gefahr bei unzureichender Qualifikation von Personen!**
- Unzureichend qualifizierte Personen können die Risiken beim Umgang mit dem Gerät nicht einschätzen und setzen sich und andere der Gefahr schwererer oder tödlicher Verletzungen aus.
- Alle Arbeiten nur von dafür qualifizierten Personen durchführen lassen!
- Unzureichend qualifizierte Personen aus dem Arbeitsbereich fernhalten!

Für alle Arbeiten sind nur Personen zugelassen, von denen zu erwarten ist, dass sie diese Arbeiten zuverlässig ausführen. Personen, deren Reaktionsfähigkeit beeinflusst ist, z. B. durch Drogen, Alkohol oder Medikamente, sind nicht zugelassen.

In dieser Anleitung werden die im Folgenden aufgeführten Qualifikationen der Personen für die verschiedenen Aufgaben benannt:

GASTECHNIK-INGENIEUR

Besitzt Fachausbildung, Fähigkeiten, Erfahrung und Wissen bezüglich relevanter Normen und Richtlinien um Arbeiten an Druckregelsystemen vornehmen zu können und potentielle Risiken zu erkennen. Gastech-
nik-Ingenieure sind speziell geschult im Hinblick auf die jeweilige Produktionsstätte und deren spezifische Standards und Richtlinien.

TECHNIKER

Besitz Fachausbildung, Fähigkeiten, und Erfahrung bezüglich relevanter Normen und Richtlinien um Arbeiten an Druckregelsystemen vornehmen zu können und potentielle Risiken zu erkennen.

2.4.2. UNBEFUGTE



WARNUNG!

- **Lebensgefahr für Unbefugte durch Gefahren im Gefahren- und Arbeitsbereich!**
- Unbefugte Personen, die die hier beschriebenen Anforderungen nicht erfüllen, kennen die Gefahren im Arbeitsbereich nicht. Daher besteht für Unbefugte die Gefahr schwerer Verletzungen bis hin zum Tod.
- Unbefugte Personen vom Gefahren- und Arbeitsbereich fernhalten!
- Im Zweifel Personen ansprechen und sie aus dem Gefahren- und Arbeitsbereich weisen!
- Die Arbeiten unterbrechen, solange sich Unbefugte im Gefahren- und Arbeitsbereich aufhalten!

2.4.3. UNTERWEISUNG

Der Besitzer muss das Personal regelmäßig unterweisen. Zur besseren Nachverfolgung muss ein Unterweisungsprotokoll mit folgenden Mindestinhalten erstellt werden:

- Datum der Unterweisung
- Name des Unterwiesenen
- Inhalte der Unterweisung
- Name des Unterweisenden
- Unterschriften des Unterwiesenen und des Unterweisenden

2.5. PERSÖNLICHE SCHUTZAUSRÜSTUNG

Persönliche Schutzausrüstung dient dazu, Personen vor Beeinträchtigungen der Sicherheit und Gesundheit bei der Arbeit zu schützen.

Das Personal muss während der verschiedenen Arbeiten an und mit dem Gerät persönliche Schutzausrüstung tragen, auf die in den einzelnen Abschnitten dieser Anleitung gesondert hingewiesen wird.

ATEMSCHUTZGERÄT, UMLUFT UNABHÄNGIG



Schutz vor schädlichen Gasen, Dämpfen, Stäuben und ähnlichen Stoffen. Atemschutzgeräte wie z.B. Pressluftatmer müssen eingesetzt werden, wenn ein Sauerstoffgehalt von über 17% in der Umgebungsluft nicht garantiert werden kann und/oder ein Überschreiten der zulässigen Grenzwerte schädlicher Stoffe in der Umgebungsluft nicht ausgeschlossen werden kann. Umluft unabhängige Atemschutzgeräte dürfen nur von speziell geschultem Personal getragen werden.

ATEMSCHUTZGERÄT, UMLUFT ABHÄNGIG



Schutz vor schädlichen Gasen, Dämpfen, Stäuben und ähnlichen Stoffen. Umluft abhängige Atemschutzgeräte müssen eingesetzt werden, wenn ein Überschreiten der zulässigen Grenzwerte schädlicher Stoffe in der Umgebungsluft nicht ausgeschlossen werden kann. Umluft abhängige Atemschutzgeräte dürfen nur bei einem garantierten Sauerstoffgehalt in der Atemluft von über 17% eingesetzt werden.

SCHUTZBRILLE



Schutz vor umherfliegenden Teilen und Tropfen.

HANDSCHUHE, CHEMISCH RESISTENT



Schutz der Hände vor aggressiven Substanzen. Es ist auf Dichtigkeit der Handschuhe acht zu geben. Nach Gebrauch Handschuhe fachgerecht entsorgen.

SCHUTZHANDSCHUHE



Schutz der Hände vor mechanischen Einflüssen und heißen sowie kalten Oberflächen.



GEHÖRSCHUTZ TRAGEN

Schützt das Gehört vor zu lauten Geräuschen und beugt Schalltraumata vor.

2.6. VERHALTEN BEI FEUERAUSBRUCH UND BEI UNFÄLLEN

VORBEUGENDE MASSNAHMEN

- Stets auf Feuer und Unfälle vorbereitet sein!
- Erste-Hilfe-Einrichtungen (Verbandkasten, Decken usw.) und Feuerlöscheinrichtungen funktionstüchtig und griffbereit aufbewahren.
- Personal mit Unfallmelde-, Erste-Hilfe- und Rettungseinrichtungen vertraut machen.
- Zufahrtswege für Rettungsfahrzeuge freihalten.

MASSNAHMEN BEI FEUERAUSBRUCH UND UNFÄLLEN

- Wenn keine Gefahr für die eigene Gesundheit besteht, Personen aus der Gefahrenzone bergen.
- Falls erforderlich Erste-Hilfe-Maßnahmen einleiten.
- Feuerwehr und/oder Rettungsdienst alarmieren.
- Bei Feuersausbruch: Wenn keine Gefahr für die eigene Gesundheit besteht, Feuer mit Feuerlöscheinrichtungen bekämpfen und Feuerbekämpfung bis zum Eintreffen der Feuerwehr fortsetzen.
- Verantwortlichen am Einsatzort informieren.
- Zufahrtswege für Rettungsfahrzeuge freimachen.
- Rettungsfahrzeuge einweisen.

2.7. UMWELTSCHUTZ



HINWEIS!

- **Gefahr für die Umwelt durch falsche Handhabung von umweltgefährdenden Stoffen!**
- Bei falschem Umgang mit umweltgefährdenden Stoffen, insbesondere bei falscher Entsorgung, können erhebliche Schäden für die Umwelt entstehen.
- Die unten genannten Hinweise zum Umgang mit umweltgefährdenden Stoffen und deren Entsorgung stets beachten!
- Wenn umweltgefährdende Stoffe versehentlich in die Umwelt gelangen, sofort geeignete Maßnahmen ergreifen. Im Zweifel die zuständige Kommunalbehörde über den Schaden informieren und geeignete zu ergreifende Maßnahmen erfragen!

2.8. BESCHILDERUNG



WARNUNG!

- **Gefahr bei unleserlicher Beschilderung!**
- Im Laufe der Zeit können Aufkleber und Schilder verschmutzen oder auf andere Weise unkenntlich werden, so dass Gefahren nicht erkannt und notwendige Bedienungshinweise nicht befolgt werden können. Dadurch besteht Verletzungsgefahr.
- Alle Sicherheits-, Warn- und Bedienungshinweise in stets gut lesbarem Zustand halten.
- Beschädigte Schilder oder Aufkleber sofort erneuern.

2.8.1. GEBOTZEICHEN

- keine Zeichen

2.8.2. VERBOTZEICHEN

- keine Zeichen

2.8.3. WARNZEICHEN



WARNUNG VOR GASFLASCHEN



WARNUNG VOR
EXPLOSIONSFÄHIGER
ATMOSPÄRE

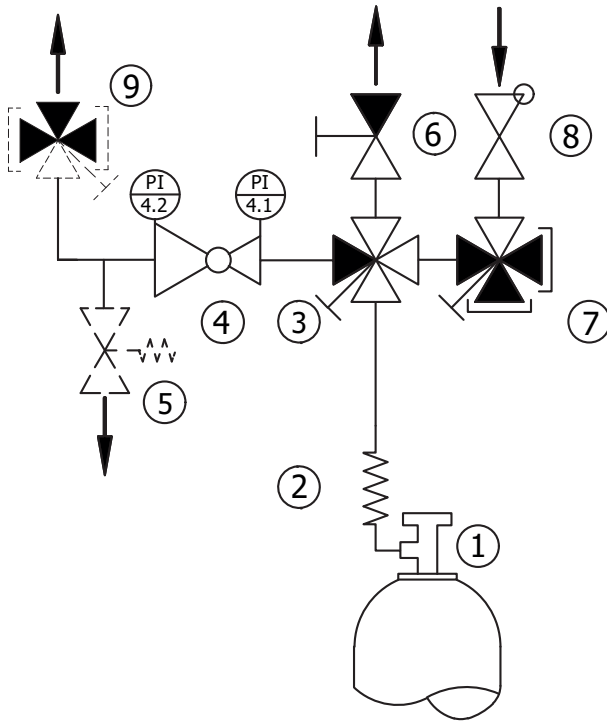


WARNUNG VOR GIFTIGEN UND/
ODER KORROSIVEN STOFFEN

3. TECHNISCHE DATEN

3.1. FLIESSSCHEMA – S300/S200/S60

DE

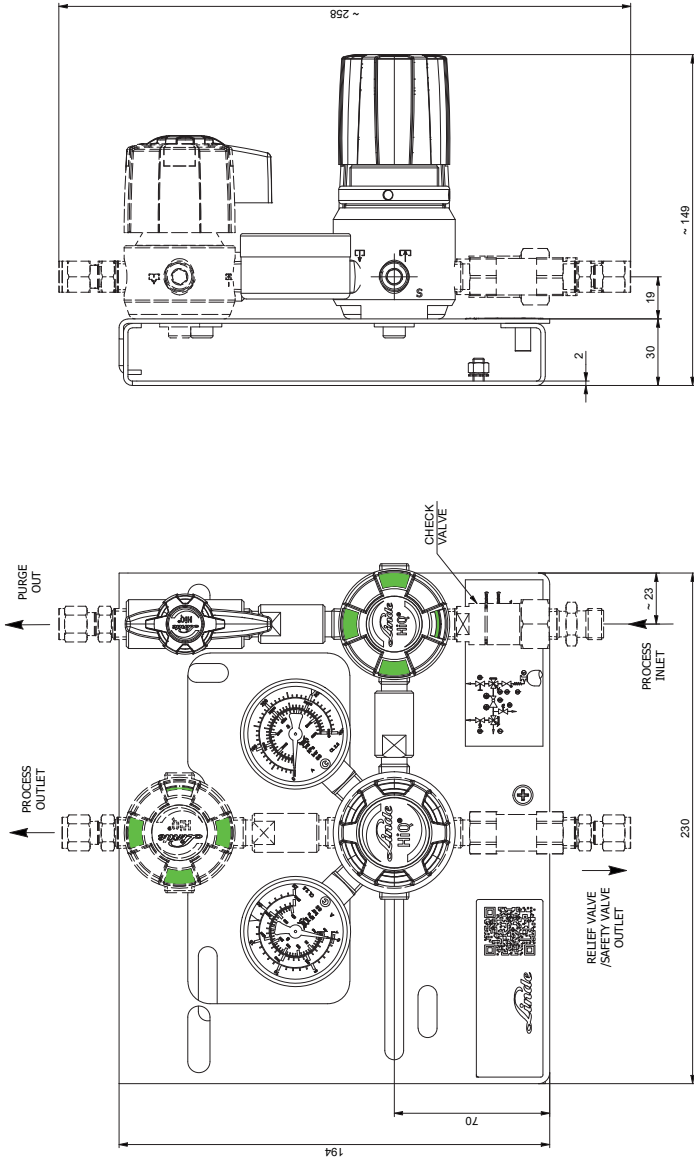


- 1 – GASFLASCHE
- 2 – ANSCHLUSSWENDEL / SCHLAUCH
- 3 – ABSPERRVENTIL (3XIN, 1XOUT)
- 4 – DRUCKREGLER MIT EINGANGS/AUSGANGSMANOMETER
- 5 – ABBLASEVENTIL/SICHERHEITSVENTIL
- 6 – SPÜLVENTIL ZUR EIGENGASSPÜLUNG
- 7 – SPÜLVENTIL EINGANG (1X IN, 3X OUT)
- 8 – RÜCKSCHLAGVENTIL
- 9 – ABSPERRVENTIL (1X IN, 3X OUT); (OPT.)

Optionen dargestellt als gepunktete Linie

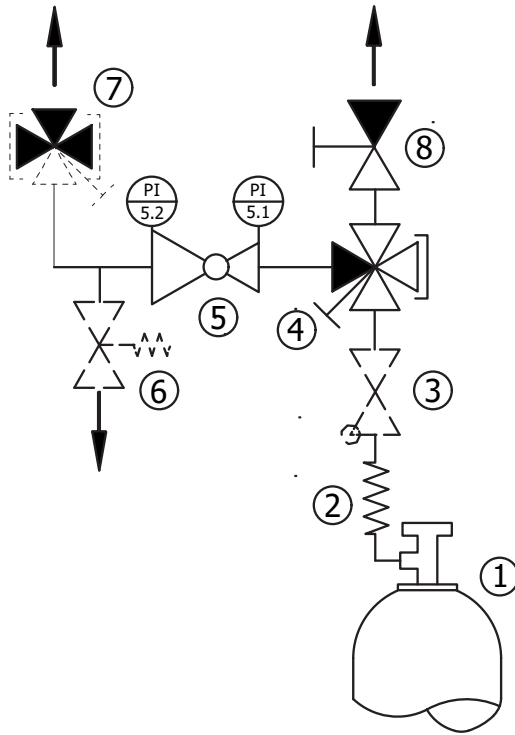
3.2. MASSBLATT – S300/S200/S60

DE



3.3. FLIESSSCHEMA – S203

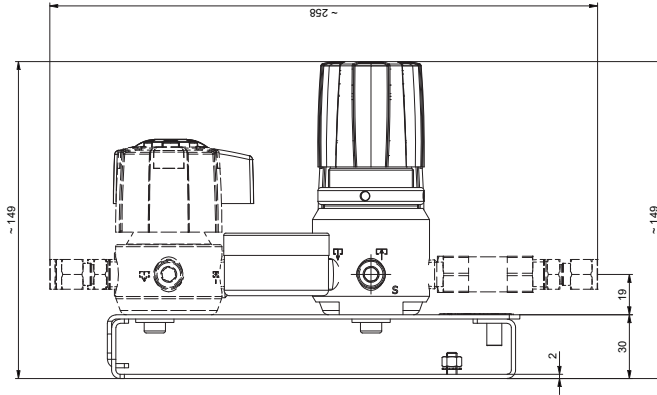
DE



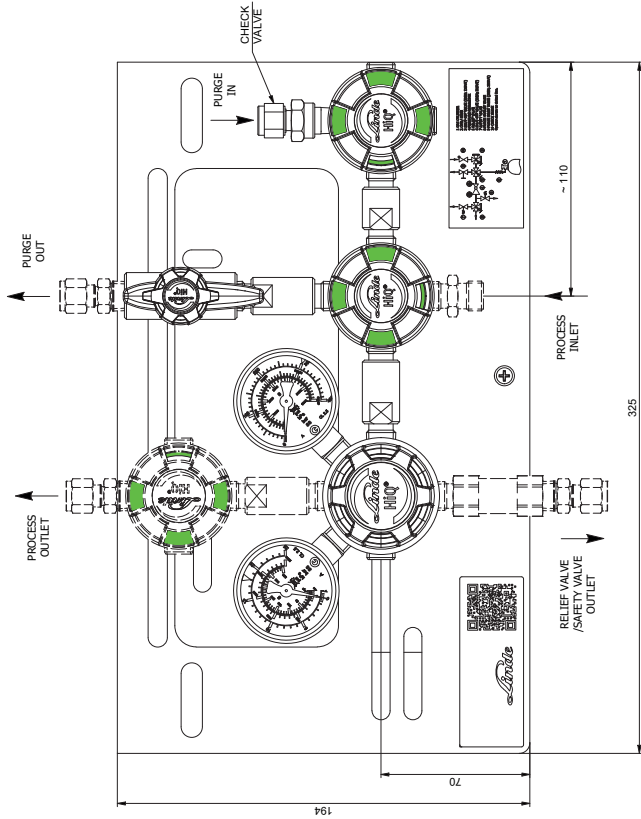
- 1 – GASFLASCHE
- 2 – ANSCHLUSSWENDEL / SCHLAUCH
- 3 – RÜCKSCHLAGVENTIL (OPT.)
- 4 – ABSPERRVENTIL (3X IN; 3X OUT)
- 5 – DRUCKREGLER MIT EINGANGS/AUSGANGSMANOMETER
- 6 – ABBLASEVENTIL/SICHERHEITSVENTIL (OPT.)
- 7 – ABSPERRVENTIL (1X IN, 3X OUT) (OPT.)
- 8 – SPÜLVENTIL ZUR EIGENGASSPÜLUNG

Optionen dargestellt als gepunktete Linie

3.4. MASSBLATT – S203



DE



3.5. ALLGEMEINE ANGABEN

Angabe	S300/S200/S60-BC	S300/S200/S60-SS
max. Gewicht[kg]	5,25	8,57
Länge [mm]	230	230
Breite [mm]	150	150
Höhe[mm]	194	194

Angabe	S203-SS
max. Gewicht[kg]	6,97
Länge [mm]	325
Breite [mm]	150
Höhe[mm]	194

3.6. ANSCHLUSSWERTE

Angabe	Wert	Einheit
Eingang	NPT 1/4" female verschiedene Adapter verfügbar	metrisch zöllig
Ausgang	1/8", 1/4", 3/8", 1/2" 3, 6, 8, 10, 12	Klemmringe zöllig Klemmringe mm
Abblaseventil / Spülventil falls vorhanden	1/4", 3/8", 1/2" 6, 8, 10, 12	Klemmringe zöllig Klemmringe mm
Sicherheitsventil	NPT 1/2" female	Zoll

3.7. LEISTUNGSWERTE

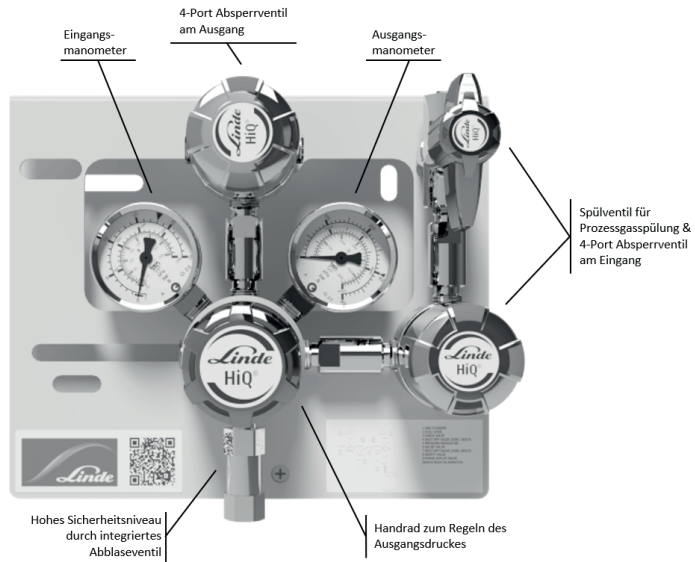
Angabe	Wert	Einheit
Nominaler Durchfluss	20 (Druckluft)	m³/h
Eingangsdruck (max.)	S300: 300 S203: 200 S200: 200 S60: 60	bar
Ausgangsdruck (max.)	200	bar

3.8. BETRIEBSBEDINGUNGEN UMGEBUNG

Angabe	Wert	Einheit
Temperaturbereich	-20 bis +60	°C
Relative Luftfeuchte (max.)	98	%

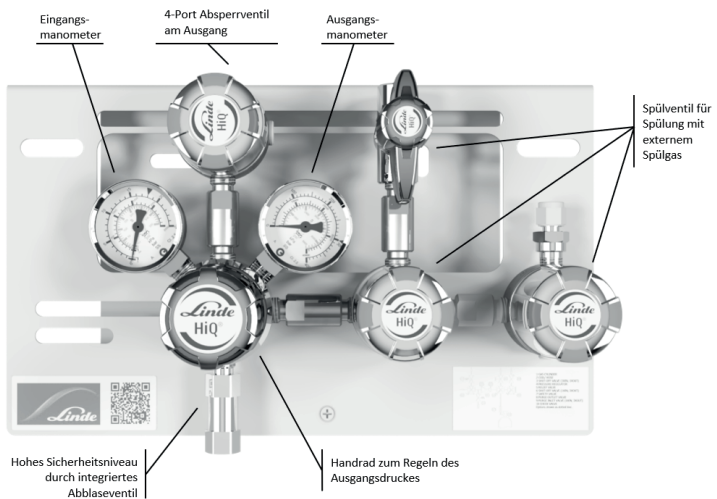
4. AUFBAU UND FUNKTION

4.1. AUFBAU – S300/S200/S60



DE

4.2. AUFBAU – S203



4.3. KURZBESCHREIBUNG

Durch die Entspannungsstationen vom Typ **S300/S200/S60-BC...**(Material: **Messing verchromt**) wird ein industrielles, nicht giftiges und nicht ätzendes Gas oder Gasmisch, welches in einem Druckgasbehälter/ Druckgasbehälterbündel unter Überdruck gespeichert ist, von einem maximalen Druck von bis zu 300 bar auf einen Rohrleitungsdruck (3 bar, 6 bar, 10 bar, 14 bar, 28 bar, 50 bar, 100 bar, 200 bar) entspannt.

Durch die Entspannungsstationen vom Typ **S300/S200/S60/S203-SS...**(Material: **Edelstahl**) werden auch giftiges und ätzendes Gas oder Gasgemisch, welches in einem Druckgasbehälter/ Druckgasbehälterbündel unter Überdruck gespeichert ist, von einem maximalen Druck von bis zu 300 bar auf einen Rohrleitungsdruck (3 bar, 6 bar, 10 bar, 14 bar, 28 bar, 50 bar, 100 bar, 200 bar) entspannt.

Ein Abblaseventil im Druckminderer der Station sichert dessen Hinterdruckbereich gegen unzulässigen Druckanstieg durch eine Leckage im Druckminderersitz ab. Hinzukommen können Sicherheitsventil und/ oder Rückschlagventil.

Der tatsächliche Vor- und Hinterdruck am Druckminderer der Station wird durch Rohrfederanometer angezeigt. Es besteht sowohl im Vor- als auch im Hinterdruckbereich des Druckminderers die Möglichkeit des Einsatzes von Kontaktmanometern.

Besitzt die Station ein Eigengasspülsystem, können die Hochdruckbereiche der Station vor deren Inbetriebnahme von eventuellen Verunreinigungen freigespült werden. Weiterhin ist durch dieses System die Entlastung der Hochdruckbereiche der Station vor dem Flaschenwechsel möglich.

Besitzt die Station eine Fremdgasspülung (S203), können die Hochdruckbereiche der Station vor deren Inbetriebnahme mit einem inerten Spülgas freigespült werden und einen sicheren Flaschenwechsel und/ oder eine sichere Wartung zu gewährleisten. Die Version mit Fremdgasspülung ist nur in der Edelstahlausführung der Entspannungsstation erhältlich.

Alle oben beschriebenen Systeme sind auf einer gemeinsamen Edelstahl Konsole befestigt. Durch genügend große Dimensionierung dieser Konsole sind alle Einzelkomponenten der Station während der Fracht im Paket und im montierten Zustand ausreichend gegen unbeabsichtigte Beschädigung geschützt. Die geteilte Ausführung der Konsole ermöglicht deren einfache, gewichtsreduzierte Befestigung. Eine Öffnung in der Frontplatte der Konsole ermöglicht den Austausch von Manometern ohne Demontage der Konsole von der Station und der damit verbundenen Demontage vom Versorgungssystem. An der Grundplatte befindet sich auf jeder Stationsseite eine Bohrung zur Befestigung von Flaschenanschlussschläuchen per Karabinerhaken. Der Anschluss der Station an den örtlichen Potentialausgleich kann an einer dafür auf der Grundplatte der Konsole angebrachten Schraube erfolgen.

Die Entwicklung, Fertigung und Produktionsprüfung der o. g. Systeme erfolgte u. a. unter Einhaltung folgender Standards:

- Druckminderer- ISO 7291
- Ventile- ISO 10297
- Manometer EN 837-1
- Mechanischer Explosionsschutz der Komplettstation- ISO80079-36; IEC 60079-32-1; TRGS 727

5. TRANSPORT, VERPACKUNG UND LAGERUNG



TIPPS UND EMPFEHLUNGEN!

- Die Installation und Erstinbetriebnahme erfolgt idealerweise durch Mitarbeiter des Herstellers oder durch von ihm autorisierte Personen.
- Dennoch kann es vorkommen, dass im Rahmen der Installation und der weiteren Nutzung Bediener oder Wartungspersonal des Betreibers mit der Handhabung von Packstücken betraut werden. Dabei die im Folgenden aufgeführten Hinweise unbedingt beachten.

5.1. SICHERHEITSHINWEISE FÜR DEN TRANSPORT



HINWEIS!

- **Sachschäden durch unsachgemäßen Transport!**
- Bei unsachgemäßem Transport können Transportstücke fallen oder umstürzen. Dadurch können Sachschäden in erheblicher Höhe entstehen.
- Beim Abladen der Transportstücke bei Anlieferung sowie bei innerbetrieblichem Transport vorsichtig vorgehen und die Symbole und Hinweise auf der Verpackung beachten.
- Nur die vorgesehenen Anschlagpunkte verwenden.
- Verpackungen erst kurz vor der Montage entfernen.

5.2. TRANSPORT INSPEKTION

Die Lieferung bei Erhalt unverzüglich auf Vollständigkeit und Transportschäden prüfen.

BEI ÄUSSERLICH ERKENNBAREM TRANSPORTSCHADEN WIE FOLGT VORGEHEN:

- Lieferung nicht oder nur unter Vorbehalt entgegennehmen.
- Schadensumfang auf den Transportunterlagen oder auf dem Lieferschein des Transporteurs vermerken.
- Reklamation einleiten.



TIPPS UND EMPFEHLUNGEN!

- Jeden Mangel reklamieren, sobald er erkannt ist. Schadensersatzansprüche können nur innerhalb des Gewährleistungszeitraums geltend gemacht werden.

5.3. VERPACKUNG

Die einzelnen Packstücke sind entsprechend den zu erwartenden Transportbedingungen verpackt. Für die Verpackung wurden ausschließlich umweltfreundliche Materialien verwendet.

Die Verpackung soll die einzelnen Bauteile bis zur Montage vor Transportschäden, Korrosion und anderen Beschädigungen schützen. Daher die Verpackung nicht zerstören und erst kurz vor der Montage entfernen.



HINWEIS!

- **Gefahr für die Umwelt durch falsche Entsorgung!**
- Verpackungsmaterialien sind wertvolle Rohstoffe und können in vielen Fällen weiter genutzt oder sinnvoll aufbereitet und wiederverwertet werden. Durch falsche Entsorgung von Verpackungsmaterialien können Gefahren für die Umwelt entstehen.
- Verpackungsmaterialien umweltgerecht entsorgen.
- Die örtlich geltenden Entsorgungsvorschriften beachten. Gegebenenfalls einen Fachbetrieb mit der Entsorgung beauftragen.

5.4. LAGERUNG

PACKSTÜCKE UNTER FOLGENDEN BEDINGUNGEN LAGERN:

- Nicht im Freien aufbewahren.
- Trocken und staubfrei lagern.
- Keinen aggressiven Medien aussetzen.
- Vor Sonneneinstrahlung schützen.
- Mechanische Erschütterungen vermeiden.
- Lagertemperatur: 15 bis 35 °C.
- Relative Luftfeuchtigkeit: max. 60 %.
- Bei Lagerung länger als 3 Monate regelmäßig den allgemeinen Zustand aller Teile und der Verpackung kontrollieren. Falls erforderlich, die Konservierung auffrischen oder erneuern.



TIPPS UND EMPFEHLUNGEN!

- Unter Umständen befinden sich auf den Packstücken Hinweise zur Lagerung, die über die hier genannten Anforderungen hinausgehen. Diese entsprechend einhalten.

6. INSTALLATION UND ERSTINBETRIEBNAHME

6.1. SICHERHEITSHINWEISE FÜR DIE INSTALLATION UND ERSTINBETRIEBNAHME

PERSONAL

Die Installation und Erstinbetriebnahme darf nur von qualifiziertem Personal durchgeführt werden.

6.2. VORBEREITUNGEN

ENTPACKEN

- Die Komponenten müssen vorsichtig und umsichtig entpackt werden.
- Zusätzliche Verpackungsmaterialien ebenfalls entfernen.
- Alle Komponenten auf etwaige Transportschäden hin untersuchen

ENTLASTEN

- Gasdruck in eventuell bestehenden Anlagen entlasten, ggf. mit Inertgas spülen
- Rohrleitung in eventuell bestehenden Anlagen mit Spezialwerkzeug trennen, dabei Späne vermeiden
- Auf einwandfreien Zustand und Reinheit der Anschlusssteile achten

6.3. INSTALLATION

Die Installation und Erstinbetriebnahme darf nur von qualifiziertem Personal durchgeführt werden.

Die Grundplatte der Entspannungsstation wird in einer Montagehöhe von 164 cm befestigt.

Die Frontplatte mit der Entspannungsstation wird in die Grundplatte eingehängt und mit der mitgelieferten Schraube unten in der Mitte befestigt.

Die Grundplatte ist über die vorgesehene Schraube zu erden.

Die Entspannungsstation wird üblicherweise mit Klemmringverschraubungen an Prozessgasausgang, Abblaseventil, Spülgaseingänge und Spülgasausgang montiert.

Falls vorhanden, das Sicherheits- und/oder Rückschlagventil ebenfalls anschließen.

Zuerst werden die Verschlusskappen von den Anschlüssen entfernt.

Die Montage erfolgt durch das vollständige Einfügen der Rohrleitung in die Verschraubung. Dann die Überwurfmutter mit der Hand aufschrauben und mit einem Gabelschlüssel (1 ¼ Umdrehungen) fest anziehen (erste Installation 1 ¼ Umdrehungen für Rohrleitungen größer als 1/8 Zoll und 3/4 Umdrehungen für Rohrleitungen mit 1/8 Zoll oder kleiner, Wiederinstallation 1/4 Umdrehungen für alle Rohrleitungen).

Die Abblaseleitung wird auf dieselbe Weise am Abblaseventil angeschlossen. Die Abgas- und Abblaseleitung dürfen **NICHT** zusammengeführt werden und sind gefahrlos ins Freie zu führen, dies gilt falls vorhanden ebenso für den Anschluss der Leitung an das Sicherheitsventil.

Zum Anschließen der Gasflaschen an die Entspannungsstation dienen genormte Anschlusswendeln und Anschlussschläuche (lieferbares Zubehör).

Die Anschlusswendel/ der Anschluss Schlauch wird immer separat geliefert. Die richtige Zuordnung der Leitung/ des Schlauches muss überprüft werden. Auf der Anschlussmutter ist die Flaschenanschlussnummer eingeschlagen. Es gibt jeweils nur eine Ausführung der Anschlusswendeln/ Anschlussschläuche. Diese ist für den Anschluss an linken und rechten Seite der Entspannungsstation geeignet.

Zur Montage der Anschlusswendel/ des Anschluss Schlauches an der Entspannungsstation zunächst die Kunststoffkappe von Anschlussgewinde der Anschlusswendel/ des Anschluss Schlauch und der Entspannungsstation entfernen. Bitte darauf achten, dass die mit der Anschlusswendel/ dem Anschluss Schlauch mitgelieferte Flachdichtung in die Überwurfmutter eingelegt ist.

Die Überwurfmutter dann auf das Anschlussgewinde am Eingang der Entspannungsstation zunächst von Hand aufschrauben und anschließend mit einem Gabelschlüssel festziehen. Bei Verwendung eines Anschluss Schlauches, kann das Fangseil mit Karabinerhaken unten in die Grundplatte eingehängt werden.

Zum Anschließen der Anschlusswendel/ des Anschluss Schlauches an die Gasflasche müssen das Gewinde von Flaschenventil und Überwurfmutter in einwandfreiem Zustand sein.

Bei jedem Neuanschießen eine neue Dichtung verwenden. Es dürfen nur Anschlusswendeln und Anschluss schläuche des Herstellers entsprechend der eingesetzten Gasart verwendet werden.

Die Flachdichtungen auf den richtigen Sitz im Anschlussstutzen der Anschlusswendel oder des Anschluss Schlauches überprüfen. Beim Anziehen darf keine Schlüsselverlängerung verwendet werden, da sonst Gewinde und Dichtung zerstört werden. Dies kann zu einer Leckage führen.

6.4. VORAUSSETZUNG ZUR ERSTINBETRIEBNAHME

- Die Prüfprotokolle der Leitungssysteme hinsichtlich der Dichtheit, wenn gefordert auch Feuchte und Partikel, liegen vor.
- Die Prozessgasleitungen, die Spülgasleitungen und die Abblaseleitung, sowie Leitungen an Sicherheits- und/ oder Rückschlagventilen falls vorhanden sind angeschlossen
- In der Prozessgasleitung ist nur Standardgas. (siehe Punkt 1.2)
- Die Inbetriebnahme darf nur durch eingewiesenes Fachpersonal erfolgen.
- Es ist den Vorschriften entsprechende Schutzkleidung zu tragen.
- Es ist ein funkenfreies Spezialwerkzeug zu verwenden und vor der Inbetriebnahme bereitzulegen.
- Überprüfen Sie vor Erstinbetriebnahme anhand des Typenschildes, ob die vorliegende Entspannungsstation für den vorgesehenen Verwendungszweck geeignet ist (Gas, Druck, Werkstoff, etc.)

6.5. ERSTINBETRIEBNAHME

- Alle Voraussetzungen sind gemäß Punkt 6.4 erfüllt
- Druckregler der zweiten Druckstufe ist entspannt (geschlossen)
- Alle sich auf der Entspannungsstation befindlichen Ventile sind geschlossen



WARNUNG!

- Es ist unbedingt darauf zu achten, dass die Entspannungsstation nicht über den zulässigen Betriebsdruck hinaus mit Druck beaufschlagt wird.
- Vor der Inbetriebnahme sicherstellen, dass niemand durch das in Betrieb nehmen des Druckgerätes gefährdet werden kann.

DE

6.5.1. PROZESSGASSPÜLUNG (S300/S200/S60)

Entspannungsstationen mit Eigengasspülung S300/S200/S60 werden eingesetzt, damit die beim Flaschenwechsel ins System eingedrungene Atmosphärenluft entfernt werden kann und die Wendelleitung oder der Anschlussschlauch zum Flaschenwechsel entlastet werden kann. Sicherstellen, dass eine Abblaseleitung angeschlossen ist.

1. Ventil zur Prozessgasspülung ist geschlossen, Knebel steht quer zur Durchflussrichtung (2-Port Ventil).
2. Druckregler ist entspannt (zu).
3. Eingangs Absperrventil schließen, rote Markierung ist sichtbar (4-Port Ventil).
4. Nun ist das Eingangs Absperrventil nur Richtung Druckminderer abgesperrt. Der Weg Richtung Ventil zu Prozessgasspülung ist frei.
5. Flaschenventil langsam öffnen.
6. Prozessgas strömt in die Anschlusswendel/ den Anschlussschlauch.
7. Flaschenventil wieder schließen.
8. Ventil zur Prozessgasspülung kurz öffnen und die jetzt in der Anschlusswendel/ dem Anschlussschlauch enthaltene Gasmenge über die Spülgasleitung entweichen lassen.
9. Danach Ventil zur Prozessgasspülung sofort wieder schließen.

DIE SCHRITTE 4. – 9. MINDESTENS 10X WIEDERHOLEN

6.5.2. FREMDGASSPÜLUNG (S203)

Entspannungsstationen S203 mit Fremdgasspülung werden eingesetzt, damit vor dem Flaschenwechsel giftiges und/oder ätzendes Gas entfernt werden kann und die Wendelleitung oder der Anschluss-schlauch zum Flaschenwechsel entlastet werden kann. Sicherstellen, dass eine Abblaseleitung angeschlossen ist.

1. Überprüfen, ob Spülgaseingang, Spülgasausgang, Prozessgaseingänge, Abblaseleitung und gegebenenfalls Sicherheitsventil ordnungsgemäß angeschlossen sind.
2. Alle Ventile schließen, die roten Markierungen müssen sichtbar sein (4-Port).
3. Druckminderer durch Drehen des Handrades gegen den Uhrzeigersinn schließen.
4. Eingangsspülventil öffnen.
5. Eingangsspülventil wieder schließen. Das eingeströmte Gas einige Sekunden in der Komponente verweilen lassen.
6. Ausgangsspülventil kurz öffnen und Spülgas entweichen lassen.
7. Ausgangsspülventil wieder schließen.

DIE SCHRITTE 4. – 7. FÜR EIN EINWANDFREIES SPÜLERGEBNIS MINDESTENS 10X WIEDERHOLEN.

6.5.3. FÜLLEN DER PROZESSGASLEITUNG MIT PROZESSGAS

Vor Inbetriebnahme und Befüllen des nachfolgenden Leitungssystems je nach Entspannungsstation Eigengasspülung (siehe Punkt 6.5.1) oder Fremdgasspülung (siehe Punkt 6.5.2) durchführen. Aus Sicherheitsgründen empfehlen wir in jedem Fall die Montage einer Abblaseleitung.

1. Überprüfen, ob Anschlusswendel/ Anschlussschlauch, Spül-, Prozess-, Sicherheits- und Abblaseleitung ordnungsgemäß angeschlossen sind.
2. Alle Ventile der Entspannungsstation schließen, rote Markierung sichtbar (4-Port).
3. Handrad des Druckreglers bis zum Anschlag gegen den Uhrzeigersinn drehen – Durchgang ist damit geschlossen.
4. Flaschenventil langsam öffnen.
5. Eingangs Absperrventil **LANGSAM** öffnen.
6. Ausgangsdruck mit dem Handrad des Reglers durch Drehen im Uhrzeigersinn einstellen.
7. Entspannungsstation ist nun in Betrieb.
8. Es wird empfohlen die Entspannungsstation täglich zu kontrollieren und die Drücke zu überprüfen.

6.5.4. FLASCHENWECHSEL

MAK-Werte (siehe Technische Regeln für Gefahrstoffe, TRGS 900) beachten.

1. Flaschenventil an der Gasflasche schließen.
2. Absperrventil der Station schließen.
3. Ausgangsspülventil öffnen um Anschlusswendel oder –schlauch zu entspannen.
4. S300/S200/S60: Prozessgasspülung durchführen (siehe Punkt 6.5.1).
S203: Fremdgasspülung durchführen (siehe Punkt 6.5.2).
5. Eingangsabsperrventil schließen.
6. Anschlusswendel/ Anschluss Schlauch von Flaschenventil der leeren Gasflasche lösen.
7. Neue Brauchgasflasche anschließen, dabei **IMMER** neuen Flachdichtung / O-Ring verwenden.

VOR WIEDERINBETRIEBNAHME:

8. S300/S200/S60: Prozessgasspülung (6.5.1) durchführen.
S203: Fremdgasspülung (6.5.2) durchführen.
9. Anschlusswendel/ Anschluss Schlauch mit Prozessgas füllen.

6.5.5. AUSSERBETRIEBNAHME DER ANLAGE

Durch Drehen des Druckregler Handrades gegen den Uhrzeigersinn die Entspannungsstation schließen. Das Schließen des Druckreglers garantiert keine Dichtheit, es kann ein Gasaustritt durch die Schläuche oder die angeschlossenen Verbraucher stattfinden.

Brauchgasabsperrventil schließen.

Aus Sicherheitsgründen auch immer das Flaschenventil schließen.

BEI KOMPLETTEM AUSBAU DER ENTSPANNUNGSSTATION IST FOLGENDES ZU BEACHTEN:



GEFAHR!

- Druckregler und Leitungen durch Ableiten des Gases über den Verbraucher entspannen. Die Zeiger der Eingangs- und Ausgangsmanometer müssen vollständig auf „0“ stehen.
- Gegebenenfalls Eigengas- oder Fremdgasspülung durchführen.
- Entsprechende Personenschutzmaßnahmen sind zu treffen.
- MAK-Werte beachten.
- Es ist unbedingt darauf zu achten, dass die Entspannungsstation nicht über den zulässigen Betriebsdruck hinaus mit Druck beaufschlagt wird.
- Vor der Inbetriebnahme sicherstellen, dass niemand durch die Inbetriebnahme des Druckgerätes gefährdet werden kann.

6.6. PRÜFUNGEN

- Nach der Druckbeaufschlagung die Funktion des Druckreglers überprüfen.
- Dichtigkeit des Abblaseventils überprüfen.
- Dichtigkeit aller Ventile überprüfen.

7. BETRIEB

Gemäß Kapitel 2.1 ist der Betrieb der Entspannungsstation für Standardgase definiert.



VORSICHT!

- Handventile müssen immer langsam und vorsichtig geöffnet werden, um Druckstöße im System zu vermeiden und andere Komponenten zu schützen.

8. WARTUNG

8.1. SICHERHEITSHINWEISE FÜR DIE WARTUNG



HINWEIS!

Wartungsarbeiten dürfen nur von qualifiziertem, geschultem und autorisiertem Personal durchgeführt werden. (siehe Kapitel 2.4).

8.2. WARTUNGSPLAN

In den nachstehenden Abschnitten sind die Wartungsarbeiten beschrieben, die für einen optimalen und störungsfreien Betrieb des Geräts erforderlich sind. Sofern bei regelmäßigen Kontrollen eine erhöhte Abnutzung zu erkennen ist, die erforderlichen Wartungsintervalle entsprechend den tatsächlichen Verschleißerscheinungen verkürzen.



HINWEIS!

- Bei jeglichen Fragen bezüglich Wartungsarbeiten und Wartungsintervallen kontaktieren Sie den Kundenservice.

Intervall	Wartungsarbeit	Personal
Wöchentlich	Alle Komponenten visuell überprüfen	Befähigte Person (TRBS 1203)
Einmal jährlich	Betriebsprüfung auf Funktion und Dichtigkeit, Prüfung aller sicherheitsrelevanten Teile	Befähigte Person (TRBS 1203)
Alle 10 Jahre	Generalüberholung und Austausch aller Verschleißteile	Befähigte Person (TRBS 1203)

8.3. WARTUNGSARBEITEN

8.3.1. REINIGUNG



HINWEIS!

- Reinigungsmittel müssen mit den Materialien, mit denen sie in Berührung kommen, verträglich sein.

8.3.2. VORAUSSETZUNG ZUR WARTUNG

VOR BEGINN DER WARTUNG IST ZU PRÜFEN, DASS

- Die Gasversorgung unterbrochen und sichergestellt ist.
- Die Entspannungsstation drucklos ist.
- Der Druckregler entspannt ist.
- Das Ventil geschlossen ist.
- Sich kein Prozessgas mehr im System befindet.
- Das System mit einem Inertgas freigespült wurde.

8.3.3. NOTWENDIGE WARTUNGSLEISTUNG

- Prüfung der Anzeigegenauigkeit des Anzeigewertes bei Druckanzeigen.
- Entspannungsstation, Druckregler, Ventile und Druckanzeigen: Zustand auf Funktion, Zustand und Kennzeichnung prüfen.
- Prüfung der Kennzeichnung.
- Prüfung auf Korrosion.
- Prüfung der Funktion.
- Dichtheitsprüfung mit 1-fachem Betriebsdruck über 12 Stunden ausführen.
- Verschlissene und defekte Bauteile sind sofort auszutauschen, mit diesen Arbeiten ist in jedem Fall ein autorisiertes Fachunternehmen zu beauftragen.
- Das Design der Ventile erfolgte gemäß ISO 10297. Darin enthalten ist ein Typtest, bei dem das Ventil einem Lebensdauertest von bis zu 2000 Zyklen unterzogen wurde. Nach 2000 Zyklen medienberührte Innenteile austauschen, mit diesen Arbeiten ist in jedem Fall ein autorisiertes Fachunternehmen zu beauftragen.
- Sollten Undichtigkeiten oder übermäßige Korrosion an Entspannungsstationen/ Druckregler oder Ventil festgestellt werden, so sind diese komplett zwischen der nächstmöglichen lösbaren Verbindung ebenfalls durch ein autorisiertes Fachunternehmen auszutauschen.
- Nach dem Wechsel von Komponenten oder Rohrleitungsbaugruppen sind erneut Drucktest auszuführen und zu protokollieren.

8.4. MASSNAHMEN NACH ERFOLGTER WARTUNG

NACH BEENDIGUNG DER WARTUNGSARBEITEN UND VOR NEUINBETRIEBNAHME DER ENTSPANNUNGSSTATION, DES DRUCKREGLER ODER DES VENTILS DIE FOLGENDEN SCHRITTE DURCHFÜHREN:

1. Sicherstellen, dass alle verwendeten Werkzeuge, Materialien und sonstige Ausrüstungen aus dem Arbeitsbereich entfernt wurden.
2. Arbeitsbereich säubern und eventuell ausgetretene Stoffe wie z. B. Flüssigkeiten, Verarbeitungsmaterial oder Ähnliches entfernen.
3. Sicherstellen, dass alle Sicherheitseinrichtungen des Systems einwandfrei funktionieren.

DE

9. STÖRUNGEN

Im folgenden Kapitel sind mögliche Ursachen für Störungen und die Arbeiten zu ihrer Beseitigung beschrieben. Bei vermehrt auftretenden Störungen müssen die Wartungsintervalle entsprechend der tatsächlichen Belastung verkürzt werden. Bei Störungen, die durch die nachfolgenden Hinweise nicht zu beheben sind, den Hersteller kontaktieren.

9.1. SICHERHEITSHINWEISE FÜR DIE STÖRUNGSBEHEBUNG

Bei Störungen grundsätzlich die Gasversorgung unterbrechen, den Druckregler entspannen und Ventile schließen. Keinesfalls Wartungsarbeiten an Bauteilen unter Druck durchführen.

VERHALTEN BEI STÖRUNGEN:

1. Gasversorgung unterbrechen und sicherstellen.
2. Druckregler entspannen, Ventile schließen.
3. Nur qualifiziertes Personal darf Störungen beseitigen.
4. Ausgangszustand des Geräts wiederherstellen.

Beschreibung	Ursache	Lösung	Ventile	Flaschen- druckregler	Leitungs- druckregler	Entspannungs- stationen
Kein Durchfluss (Eingangsmanometer zeigt Druck an, Ausgangsmanometer nicht)	Druckregler geschlossen	Druckregler langsam öffnen Spülventil schließen		<input checked="" type="checkbox"/>	<input checked="" type="checkbox"/>	<input checked="" type="checkbox"/>
Kein Durchfluss (beide Manometer zeigen Null)	Flaschenventil geschlossen Brauchgasventil geschlossen Druckregler geschlossen Wendel/Schlauch nicht angegeschlossen	Inbetriebnahme gemäß Punkt 6. Installation und Erstinbetriebnahme		<input checked="" type="checkbox"/>	<input checked="" type="checkbox"/>	<input checked="" type="checkbox"/>
Kein Durchfluss	Druckregler geschlossen	Druckregler langsam öffnen	<input checked="" type="checkbox"/>			
Hinterdruckanstieg & Abblaseventil öffnet	Leckage im Druckreglersitz	Reparatur durch Hersteller		<input checked="" type="checkbox"/>	<input checked="" type="checkbox"/>	<input checked="" type="checkbox"/>

Beschreibung	Ursache	Lösung	Ventile	Flaschen- druckregler	Leitungs- druckregler	Entspannungs- stationen
Leichter Hinterdruckanstieg & Abblaseventil öffnet nicht	Vordruckabfall	Kein Fehler, normaler Betriebszustand		<input checked="" type="checkbox"/>	<input checked="" type="checkbox"/>	<input checked="" type="checkbox"/>
Leichter Hinterdruckanstieg	Unterschied zwischen Fließdruck (mit Durchfluss) und Staudruck (kein Durchfluss)	Kein Fehler, normaler Betriebszustand		<input checked="" type="checkbox"/>	<input checked="" type="checkbox"/>	<input checked="" type="checkbox"/>
Leichter Hinterdruckabfall	Unterschied zwischen Staudruck (kein Durchfluss) und Fließdruck (mit Durchfluss)	Kein Fehler, normaler Betriebszustand		<input checked="" type="checkbox"/>	<input checked="" type="checkbox"/>	<input checked="" type="checkbox"/>
Starker Hinterdruckabfall	Erforderlichen Durchfluss für Druckregler zu groß	Auswahl eines neuen Druckreglers für geforderten Druck & Durchfluss		<input checked="" type="checkbox"/>	<input checked="" type="checkbox"/>	<input checked="" type="checkbox"/>
Starker Hinterdruckabfall	Undichte Prozessgasleitung	Prozessgasleitung überprüfen		<input checked="" type="checkbox"/>	<input checked="" type="checkbox"/>	<input checked="" type="checkbox"/>
Ausgangsdruck zu hoch	Falsche Regler Einstellung	Druckregler Einstellung anpassen, nachregeln, Wartung		<input checked="" type="checkbox"/>	<input checked="" type="checkbox"/>	<input checked="" type="checkbox"/>
Hinterdruck steigt sofort bis Anschlag an oder Hinterdruck steigt langsam über den eingestellten Wert hinaus an & Abblaseventil bläst ab	Verschmutzung oder Beschädigung des Sitzes „Steiger“	Reparatur durch Hersteller		<input checked="" type="checkbox"/>	<input checked="" type="checkbox"/>	<input checked="" type="checkbox"/>
Geräusche während des Betriebes	Erforderlichen Durchfluss für Druckregler zu hoch	Auswahl eines neuen Druckreglers für geforderten Druck & Durchfluss		<input checked="" type="checkbox"/>	<input checked="" type="checkbox"/>	<input checked="" type="checkbox"/>

Beschreibung	Ursache	Lösung	Ventile	Flaschen- druckregler	Leitungs- druckregler	Entspannungs- stationen
Keine Veränderung der Ventilsteuerung trotz drehen des Handrades	Handrad defekt durch zu hohes Drehmoment, Spindel defekt, Gewinde defekt	Reparatur durch Hersteller	☑	☑	☑	☑
Feuchtigkeit auf Druckregler (KEIN Tau, Regen oder Schnee)	Druckregler entzieht der Umwelt Energie durch Gasentspannung	Kein Fehler Normaler Betriebszustand		☑	☑	☑
Eisbildung auf Druckregler (KEIN Tau, Regen oder Schnee)	Druckregler entzieht der Umwelt Energie durch Gasentspannung, limitierte Lieferleistung der Druckgasbehälter z. Bsp. bei N ₂ O, CO ₂	Kein Fehler Normaler Betriebszustand ACHTUNG: auf Funktionalität der Kontaktmanometer achten, Anzahl der Druckgasbehälter erhöhen		☑	☑	☑

Diese Tabelle erhebt keinen Anspruch auf Vollständigkeit. Bei Fragen und Unklarheiten kontaktieren Sie bitte den Hersteller.

10. DEMONTAGE UND ENTSORGUNG

Nachdem das Gebrauchsende des Geräts erreicht ist, muss das Gerät demontiert und einer umweltgerechten Entsorgung zugeführt werden.

10.1. SICHERHEITSHINWEISE FÜR DIE DEMONTAGE UND ENTSORGUNG



WARNUNG!

- **Verletzungsgefahr bei unsachgemäßer Demontage!**
- Gespeicherte Restenergien, kantige Bauteile, Spitzen und Ecken am und im Gerät oder an den benötigten Werkzeugen können Verletzungen verursachen.
- Vor Beginn der Arbeiten für ausreichenden Platz sorgen.
- Mit offenen scharfkantigen Bauteilen vorsichtig umgehen.
- Auf Ordnung und Sauberkeit am Arbeitsplatz achten!
- Lose aufeinander- oder umherliegende Bauteile und Werkzeuge sind Unfallquellen.
- Bauteile fachgerecht demontieren. Teilweise hohes Eigengewicht der Bauteile beachten. Falls erforderlich, Hebezeuge einsetzen.
- Bauteile sichern, damit sie nicht herabfallen oder umstürzen.
- Bei Unklarheiten den Hersteller hinzuziehen.

10.2. DEMONTAGE

VOR BEGINN DER DEMONTAGE

Druckregler zweite Druckstufe der Entspannungsstation durch Drehen des Handrades gegen den Uhrzeigersinn schließen.

Druckregler der Entspannungsstation entspannen und sicherstellen, dass sich kein Prozessgas mehr im Inneren der Entspannungsstation befindet.

System entspannen und wenn nötig mit einem Inert Gas spülen.

Hochdruckseite der Station über Spülgasventil entlasten.

Je nach Version Eigengas – oder Fremdgasspülung durchführen.

Betriebs- und Hilfsstoffe sowie restliche Verarbeitungsmaterialien entfernen und umweltgerecht entsorgen.

Anschließend Baugruppen und Bauteile fachgerecht reinigen und unter Beachtung geltender örtlicher Arbeitsschutz- und Umweltschutzvorschriften zerlegen. Arbeitsschutz- und Umweltschutzvorschriften zerlegen.

DE



WARNUNG!

- **System nicht öffnen, wenn sich noch giftiges und/ oder korrosives Gas darin befindet!**

10.3. ENTSORGUNG

Sofern keine Rücknahme- oder Entsorgungsvereinbarung getroffen wurde, zerlegte Bestandteile der Wiederverwertung zuführen:

Metalle verschrotten.

Kunststoffelemente zum Recycling geben.

Übrige Komponenten nach Materialbeschaffenheit sortiert entsorgen.

Gemäß dem Artikel 33 der REACH-Verordnung verpflichtet sich die Gesellschaft GCE, s.r.o. als verantwortungsbewusster Hersteller, alle Kunden darüber zu informieren, wenn die Materialien 0,1% oder mehr der auf der Liste aufgeführten besonders besorgniserregenden Stoffe (SVHC) enthalten.

Die am häufigsten für Körper und andere Messingbauteile verwendeten Messinglegierungen enthalten 2-3% Blei (Pb), EG-Nr. 231-468-6, CAS-Nr. 7439-92-1. Bei normalem Gebrauch wird Blei nicht in das Gas oder in die Umwelt freigesetzt. Am Ende seiner Lebensdauer muss das Erzeugnis von einem zugelassenen Metallrecyclingunternehmen entsorgt werden, um eine wirksame Entsorgung des Materials bei minimalen Auswirkungen auf Umwelt und Gesundheit zu gewährleisten. Bis zum heutigen Tag liegen uns keine Informationen vor, die darauf hindeuten, dass Materialien mit SVHC Konzentrationen über 0,1% in GCE-Produkten enthalten sind.



HINWEIS!

- **Gefahr für die Umwelt durch falsche Entsorgung!**
- Durch falsche Entsorgung können Gefahren für die Umwelt entstehen.
- Elektroschrott, Elektronikkomponenten, Schmier- und andere Hilfsstoffe von zugelassenen Fachbetrieben entsorgen lassen.
- Im Zweifel Auskunft zur umweltgerechten Entsorgung bei der örtlichen Kommunalbehörde oder speziellen Entsorgungsfachbetrieben einholen.

www.linde.com

Diese Artikel wurden im Auftrag von Linde hergestellt.

Multi-Language Version



http://hiq.linde-gas.com/en/specialty_equipment/redline_instruction_for_use/index.html



www.linde.com

Doc. Nr.: IFU-MXLHXXS-LIN; DOI: 2022-08-08; Rev.:03; TI: A5, CB, V1